

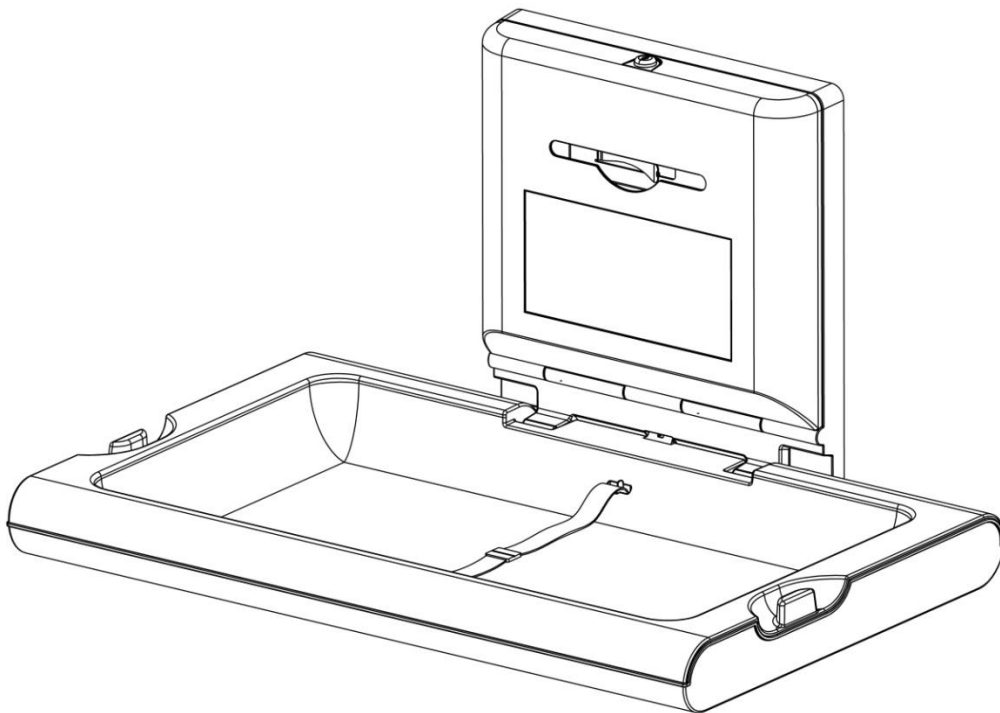


www.saniflowcorp.com

**BABY CHANGING STATION
CAMBIA PAÑALES
TABLE À LANGER**

CP0016H -ASTM/ CP0016HCS-ASTM / CP0016HCSB-ASTM

ASTM F 2285-04 (2010)



**INSTALLATION AND SAFETY INSTRUCTIONS
INSTRUCTIONS RELATIVES À L'INSTALLATION ET À LA SÉCURITÉ
INSTRUCCIONES DE INSTALACIÓN Y DE SEGURIDAD**

BEFORE YOU BEGIN

VERY IMPORTANT. SAVE THESE INSTRUCTIONS FOR FUTURE REFERENCE. READ AND KEEP IN MIND ALL INSTRUCTIONS AND RECOMMENDATIONS DESCRIBED THROUGHOUT THIS MANUAL.

SAFETY INSTRUCTIONS

- Only a qualified technician can install, adjust and maintain this baby changing station. Any operations performed on the changing station must be compliant with the safety laws and regulations that are in force at the time. Saniflow Hand Dryer Corporation. is not liable for damages caused by the improper installation, poor maintenance or misuse of this baby changing station.
- It is very important that, once installed and put into operation, the baby changing station is periodically inspected in order to ensure that it remains firmly secured to the wall and it has not suffered any damage that may cause any harm to users. It is very important to make sure that the baby changing station opens and closes properly.
- Any additional component or spare part required for the baby changing station should only be purchased from the manufacturer or from an authorized distributor.
- Under no circumstances may the baby changing station be used if there are indications that any part of it is broken, torn or lost.
- The baby changing station must be secured to a wall capable of withstanding the loads to which it will be subjected daily without a problem and the most appropriate wall fixings must be used for each type of wall.
- The total maximum recommended weight for this changing station (including the baby and the parcel bags) is 65 lbs (30 kg approx.). Excessive weight may create dangerous or unstable situations for the baby.
- All assembly joints and wall fixings must always be properly tightened and inspected regularly to make sure that they are properly fastened.
- It is very important to install the changing station away from sources of heat or open fire in order to avoid the risk of fire.
- If the changing station is vandalized, it is very important to remove it from the wall and perform a thorough inspection of the unit and the wall where it should be installed in order to detect and solve any problem that may lead to an accident.
- For better comfort and safety, sanitary liners should always be available in the changing station and the unit should be thoroughly cleaned daily in order to minimize the spread of infectious diseases.
- Under no circumstance should the baby be left unattended at any time on top of the baby changing station.
- The baby changing station is designed to be used without any pillow. Please do not use pillow or any other device that could affect the baby placement on the changing station.
- Parcels or accessory items, or both, placed on the unit may cause the unit to become unstable.
- In order to avoid injury from falling or slipping, it is very important to always use the changing station's restraint systems (safety belt).
- **Restraint system:** Always place the baby in the centre of the changing station, embracing its waist with the safety belt and ensuring that the belt buckle has clicked once closed. Tighten or loosen the straps as necessary to obtain a perfect grip of the baby on the changing station. The safety belt should not be too tight around the baby because it may hinder its breathing or cause injury by compression, nor should it be too loose because the baby may slip and fall to the ground.

INSTALLATION INSTRUCTIONS

Required tools

You will need the following tools for the installation of the baby changing station:

	Measuring tape in order to install the changing station to the appropriate height and distance
	Phillips Head Screwdriver in order to tighten the fasteners of the changing station
	A level in order for the changing station to be installed completely horizontal to the ground
	A pencil for the appropriate installation markings
	A drill to make all the necessary holes for the installation
	13/32" (Ø 10mm) masonry drill bit (a special drill for brick, masonry or cement walls with widia tip).

Fixings supplied

The following fixings are supplied with the baby changing station:

	Six self-tapping Philips screws (DIN 7981/C A2 of Ø6.3x70 mm) for fixing the changing station to the wall
	Six Ø10mm nylon plugs to insert into the installation holes of the changing station
	Four flat washers (DIN125 M8 A2) to be mounted with four Ø6.3x70 mm self-tapping Philips screws below the metal structure
	Four blunt Philips screws (DIN7985 A2 M4x8 mm) to fasten the liner dispenser to the metal wall structure
	Four flat washers (DIN125 M4 A2) to be mounted with four blunt Philips screws (M4x8 mm) to fasten the liner dispenser

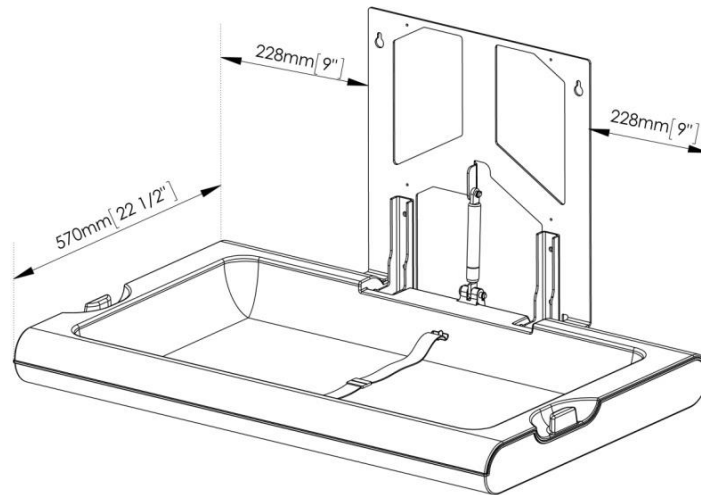
Step 1. Material inspection

It is very important to carry out a visual inspection of the packaging of the baby changing station in order to ensure that it has not suffered any damage during transport and handling. If damage to the packaging is found, the changing station should be carefully inspected to see if it has suffered any damage. **UNDER NO CIRCUMSTANCE SHOULD THE BABY CHANGING STATION BE INSTALLED IF ANY DAMAGE IS FOUND.**

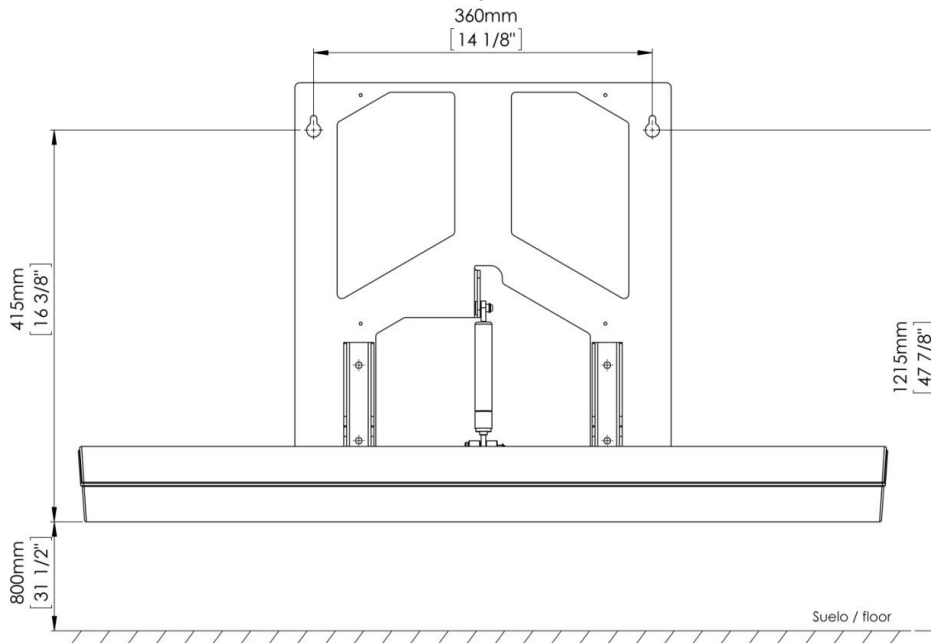
Remove all packaging material and check if any assembly component (bed with wall installation structure and sanitary liner dispenser) or any hardware component (see table of fixings supplied) is missing.

Step 2. Preparation of the installation surface

Once the material is unpacked and inspected, choose the area on the wall where the baby changing station will be installed. It is very important to keep in mind and respect the operating distances indicated in the figure below, which are 9" (228 mm) on either side of the chassis for fixing the changing station to the wall and 22 1/2" (570 mm) of the changing station bed, when it is open, from the wall.



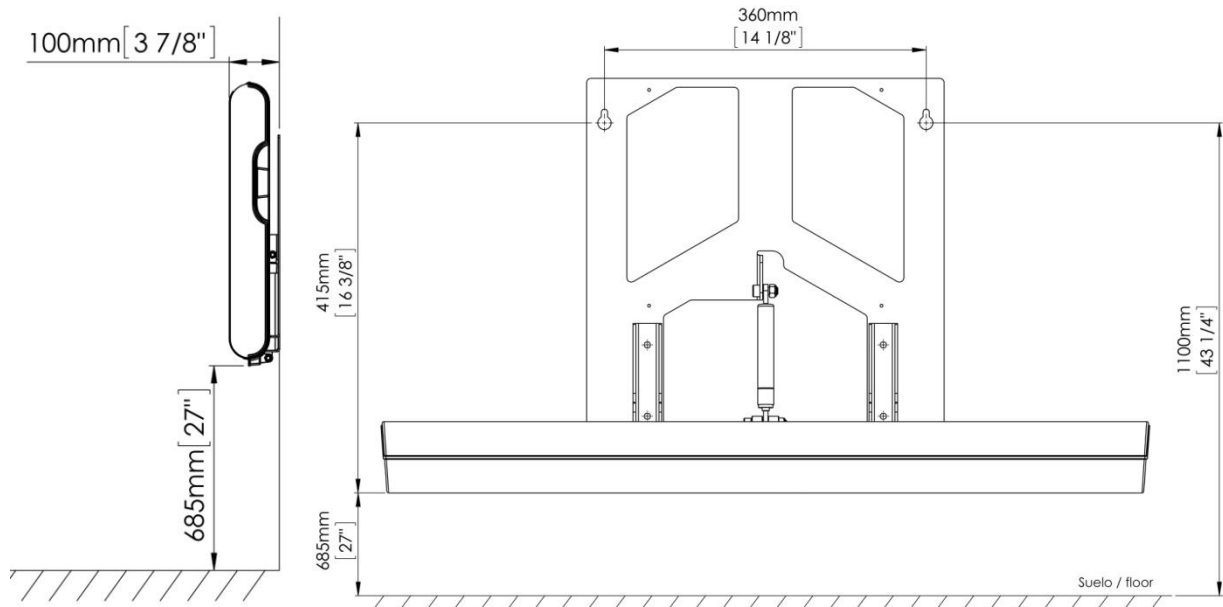
The recommended installation height is 31 1/2" (800 mm) from the ground to the lowest part of the changing station. The following sketch shows the height at which the holes should be made in order for the changing station to be installed at the recommended height:



Following the above scheme, using the pencil, mark on the wall the top two holes of the changing station's holding structure. It is very important to make sure that the locations marked with the pencil for the mounting holes are at the same level before drilling the holes.

Installation according to ADA regulations.

If it is required that the installation complies with the ADA regulations (USA), the installation should be made taking into account the following installation dimensions.



Step 3. Installation of the changing station's bed and holding structure on the wall.

Installation on brick, masonry or cement wall.

Using the masonry bit, make the two previously marked 13/32" (Ø 10mm) holes for the top part of the changing station, at a minimum depth of 2 3/4" (70 mm).

Clean the dust off the two holes and insert the two Ø10 mm nylon plugs into them.

Screw two of the Ø6.3x70 mm mounting screws into the two previously placed plugs, without reaching the bottom, leaving a gap of about 7/32" (5 mm) between the screw head and the wall.

Hang the changing station's holding structure from the two previously placed screws, making sure that the unit is perfectly levelled. When you have made sure that the changing station is perfectly levelled, tighten the top two screws completely.

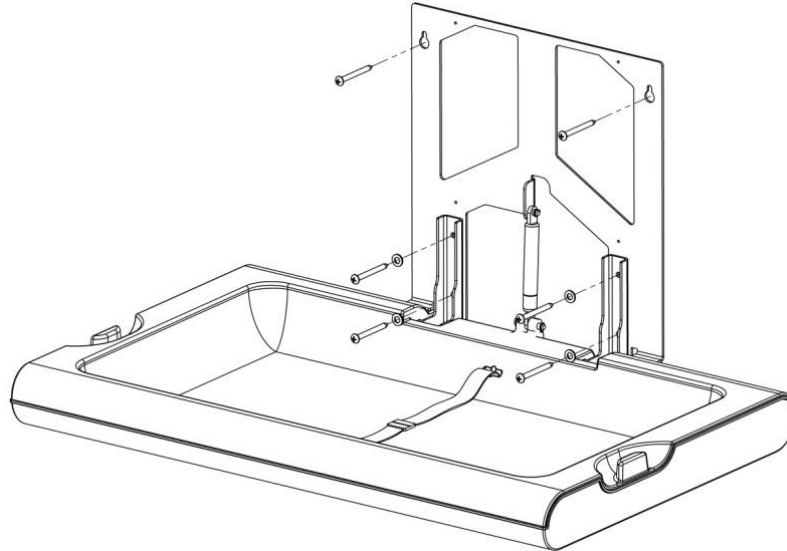
Use the four lower holes of the changing station's holding structure as a guide to mark the position of the remaining four holes.

Loosen the upper screws and remove the changing station.

Using the previously made markings as reference, drill the four lower holes with the 13/32" (Ø 10mm) drill at a minimum depth of 2 3/4" (70 mm).

Once completed, proceed with cleaning the holes and placing the remaining four Ø10 mm nylon plugs.

Put the changing station back on the top two screws and fix the structure to the wall with the four Ø6.3x70 mm screws and the four DIN125 M8 washers of the lower holes, then fully tighten the top two screws, the distribution of the components is shown in the following figure:



Make sure that the six screws securing the unit to the wall have been properly tightened and that the changing station is firmly fixed to the wall.

Installation on plasterboard or hollow wall.

The fixing systems supplied with this changing station are not suitable for installation on plasterboard or hollow walls.

In order to install the unit on this type of wall, fastening anchors and tools specific for plasterboard or hollow walls must be used.

Due to the problems posed by installations on this type of walls, with regard to fixing, it is recommended that the installation is carried out by technicians specialized in installations on this type of walls. Saniflow Hand Dryer Corporation is not responsible for the installation of its changing stations on plasterboard or hollow walls.

Step 4. Mounting the liner dispenser on the changing station holding structure

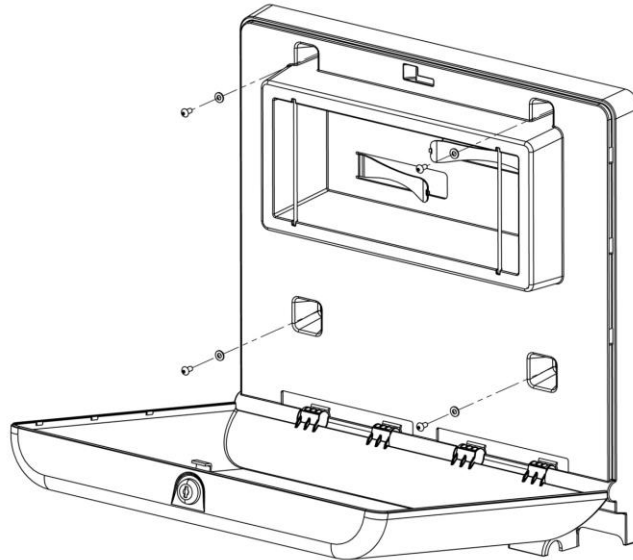
Take the liner dispenser and, after verifying that it is not damaged or scratched, place it on the metal structure following the sequence of steps shown below and thus ensuring its proper position with the metal shafts.



Open the liner dispenser with the special key provided. The four holes for mounting the liner dispenser on the holding structure of the changing station will be visible.

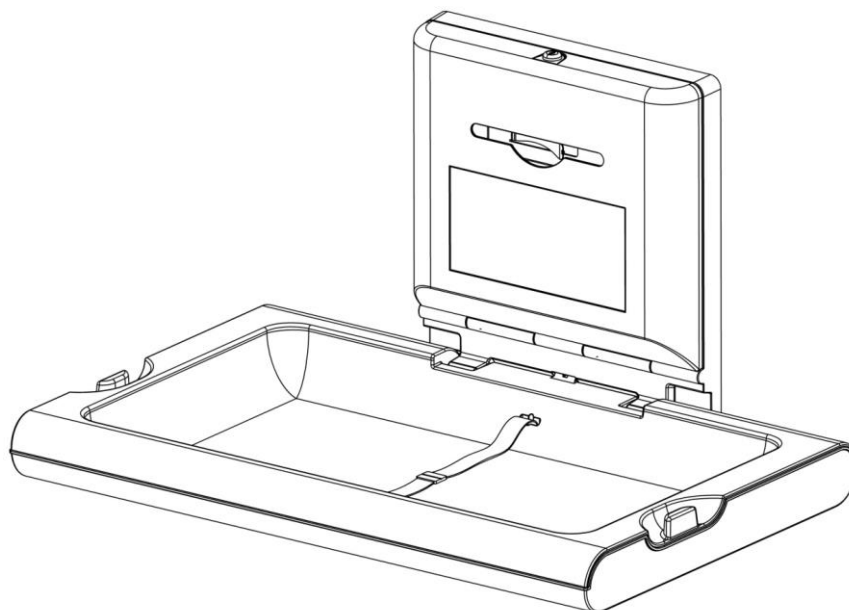
Fit the dispenser to the holding structure of the changing station and align the mounting holes of the dispenser.

Fix the liner dispenser to the holding structure of the changing station using the four M4x8mm screws and the four DIN125 M4 flat washers, as shown in the figure. Check and make sure it has been properly fixed.



Step 5. Final revision before commissioning

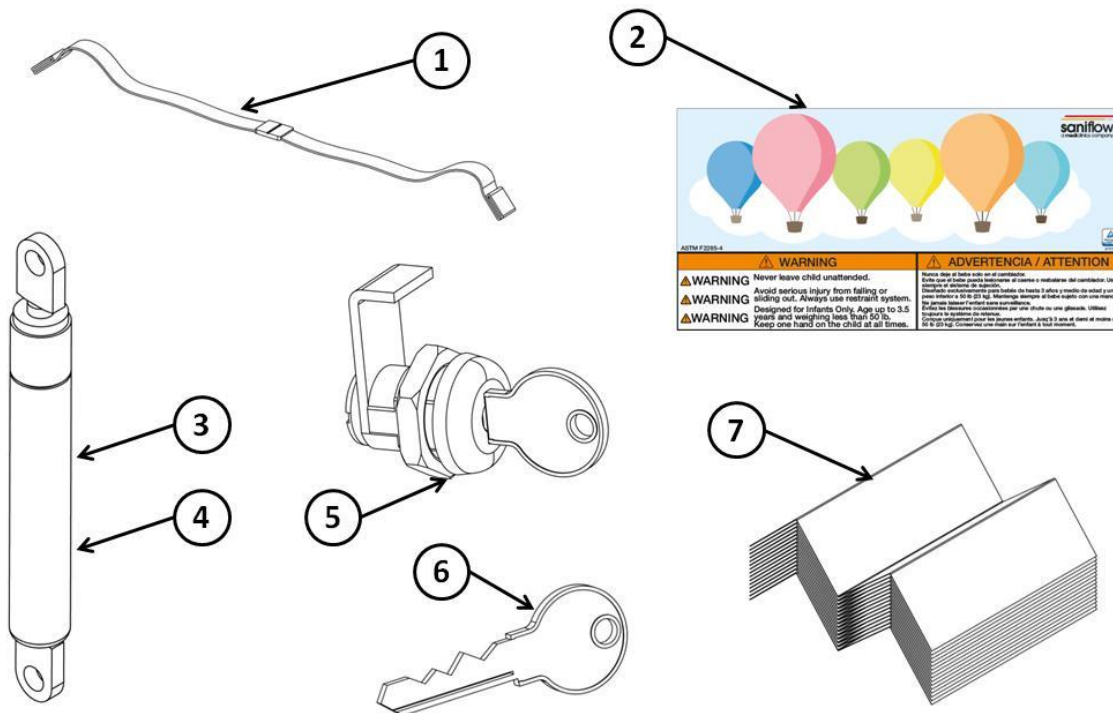
Thoroughly clean and disinfect the baby changing station. It is very important to verify that the unit opens and closes smoothly and that no damage has been caused during installation of the changing. In summary, it is very important to verify, once the installation of the baby changing station is complete, that it is in perfect condition to be used without any problems.



BASIC EXPLODED VIEW

Remember that any additional component or spare part required for the baby changing station should only be purchased from the manufacturer or an authorized distributor.

COMPONENT	No.	CODE
Belt	1	KIT-BELT-ASTM
Label ASTM	2	RC9691020ASTM
Shock absorber CP0016H	3	RC9161001SMD
Shock absorber CP0016HCS	4	RC9161002SMD
Lock + key	5	RC9483003SMD
Key	6	RC99065
Protective liners	7	CN0020

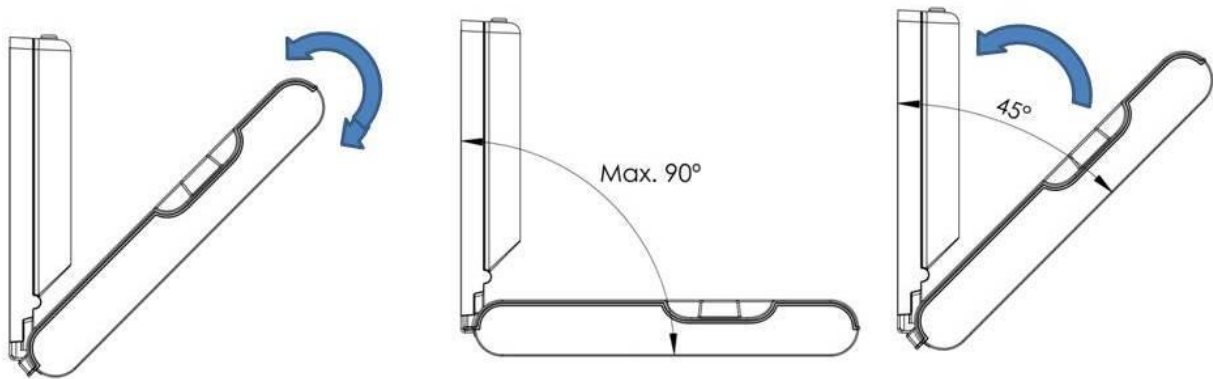


RECOMMENDATIONS FOR PREVENTIVE MAINTENANCE AND CLEANING

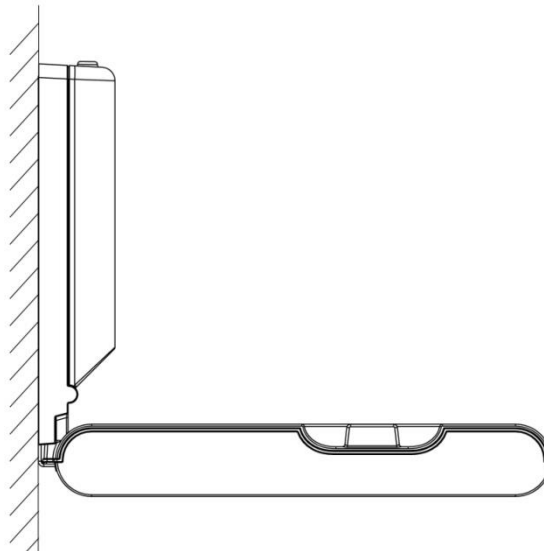
Proper preventive maintenance and careful cleaning are essential for an appropriate, clean and safe product use.

For proper maintenance, follow these steps:

- Inspect the components of the baby changing station: make sure that there are no cracks, dents or any other sign that would suggest any fault in the product.
- Inspect the opening of the station: open and close the tray, make sure that it doesn't open beyond 90° and that when raising the tray, once past 45°, it automatically closes completely. The movements should be smooth and continuous, otherwise it is possible that the shock absorber is not functioning properly.



- Inspect the wall mounting: it is one of the most important points, make sure that it is firmly fixed and that there are no gaps or significant movement between the fixed portion of the changing station and the wall.

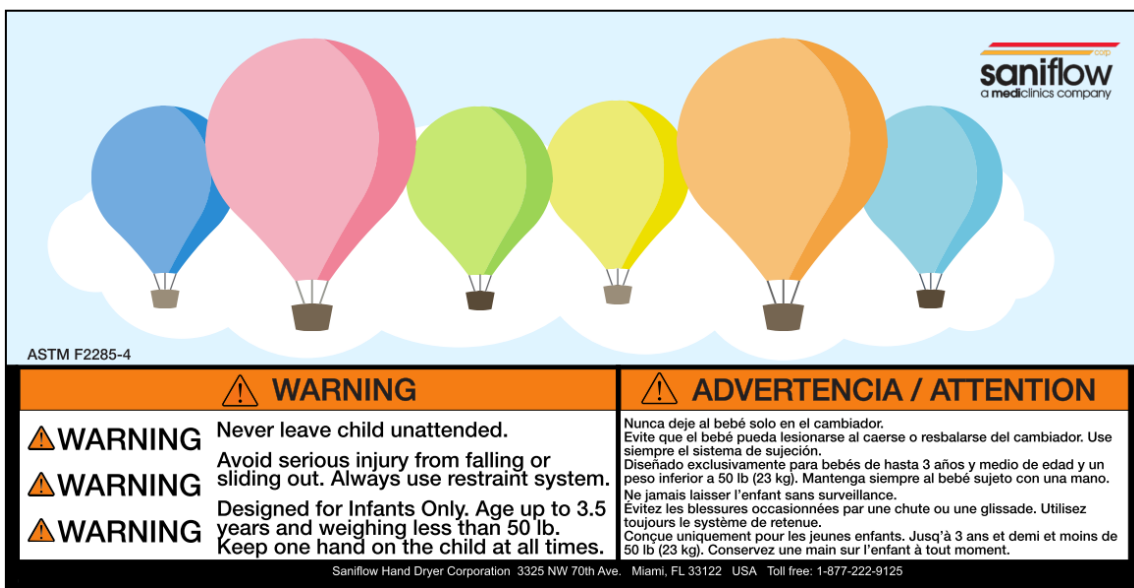


- Inspect the fastening of the liner dispenser to the metal structure: open the dispenser cover and check that the 4 fixing screws are tightened with their respective washers.

- Inspect the belt: it should be properly secured to the changing station, it should not be frayed, the belt buckle must "click" when closed and it should be easily adjustable. If any of the requirements is not met, the belt must be replaced.






- Inspect the label: if it is missing, damaged, illegible or not properly attached, a new one should be placed.



For proper cleaning, follow these steps:

- In order to avoid contact with the detergent, it is recommended to remove the liners from their housing before cleaning.
- Clean all plastic pieces of the changing station using antibacterial soap.
- On the CP0016HCS model, avoid contacting the stainless steel front with the antibacterial soap; it has to be cleaned with a standard stainless steel cleaner and a soft cloth.
- Remove the soap residue with a dry cloth, making sure that the cleaning has been effective and that there are no residues of dirt or soap.
- After the changing station has been dried, put the liners back in their housing and close the front cover with the lock.
- Carry out a final visual inspection to make sure that the baby changing station has been properly cleaned.
- Leave the changing station in a closed position.

WARNING

-  **WARNING** Never leave child unattended.
-  **WARNING** Avoid serious injury from falling or sliding out. Always use restraint system.
-  **WARNING** Designed for Infants Only. Age up to 3.5 years and weighing less than 50 lb. Keep one hand on the child at all times.

 WARNING	
	WARNING Never leave child unattended.
	WARNING Avoid serious injury from falling or sliding out. Always use restraint system.
	WARNING Designed for Infants Only. Age up to 3.5 years and weighing less than 50 lb. Keep one hand on the child at all times.

ANTES DE EMPEZAR

MUY IMPORTANTE. CONSERVE ESTAS INSTRUCCIONES PARA FUTURAS CONSULTAS. LEA DETENIDAMENTE Y TENGA EN CUENTA, TODAS Y CADA UNA DE LAS INSTRUCCIONES Y RECOMENDACIONES QUE SE DESCRIBEN A LO LARGO DE TODO ESTE MANUAL.

INSTRUCCIONES DE SEGURIDAD

- Sólo un técnico cualificado puede instalar, ajustar y realizar el mantenimiento de este cambia pañales. Todas las operaciones que se realicen sobre él deben estar de acuerdo con la legislación y la normativa de seguridad que estén en vigor en ese momento. Saniflow Hand Dryer Corporation no se responsabilizará por los daños que se originen por una mala instalación o un mal mantenimiento o un mal uso de este cambia pañales.
- Es muy importante que, una vez instalado y puesto en servicio, este cambia pañales sea revisado periódicamente para comprobar que sigue firmemente sujeto a la pared y no sufre ningún desperfecto que pueda causar algún tipo de daño a los usuarios. Es muy importante comprobar que el cambiador de pañales abre y cierra correctamente.
- Cualquier componente adicional o pieza de recambio que se necesite para este cambia pañales deberá ser adquirido solamente al fabricante o a un distribuidor autorizado.
- Bajo ninguna circunstancia debe utilizarse el cambia pañales si hay indicios de que alguna de las partes del mismo está rota, rasgada o perdida.
- El cambia pañales debe fijarse a una pared capaz de soportar sin problema las cargas a las que estará sometido diariamente y deben utilizarse los medios de sujeción más apropiados para cada tipo de pared.
- El peso total máximo recomendado para este cambiador de pañales (incluyendo el peso del bebé y las bolsa) de 65 libras (30 kg aprox.). Un peso excesivo puede crear situaciones de peligro o inestabilidad para el bebé.
- Todas las uniones de montaje, así como las fijaciones a la pared deben estar siempre correctamente apretadas y deben ser revisadas regularmente, para comprobar que siguen correctamente fijadas.
- Es muy importante instalar el cambia pañales lejos de fuentes de calor o de fuego abierto para evitar el riesgo de incendio de la unidad.
- Si el cambia pañales sufre un acto vandálico es muy importante desmontarlo de la pared y realizar una inspección minuciosa de la unidad y de la pared donde va instalado para detectar y solucionar cualquier problema que luego pueda derivar en un accidente.
- Para una mayor comodidad y seguridad deben estar siempre disponibles en el cambia pañales sábanas higiénicas y la unidad debe ser limpiada a fondo todos los días para reducir al mínimo la propagación de enfermedades infecciosas.
- Bajo ninguna circunstancia deje al bebé desatendido en ningún momento encima del cambia pañales.
- El cambia pañales ha sido diseñado para ser usado sin cojín. Por favor no usar cojín o cualquier otro elemento que pueda afectar la posición del niño en el cambia pañales.
- Colocar paquetes y/o accesorios encima del cambia pañales puede hacer que este se desestabilice.
- Para evitar lesiones por caídas o deslizamientos es muy importante utilizar siempre los sistemas de retención (cinturón de seguridad) de este cambia pañales.
- **Sistema de retención:** Colocar al bebé siempre en el centro del cambia pañales, rodeando su cintura con el cinturón de seguridad y comprobando que el cierre del cinturón ha hecho clic una vez cerrado. Apretar o aflojar las correas según sea necesario para obtener una perfecta sujeción del bebé sobre el cambia pañales. El cinturón de seguridad no deberá apretar mucho al bebé, ya que podría dificultar su respiración o causarle heridas por compresión, ni debe estar demasiado flojo ya que podría deslizarse y caer al suelo.

INSTRUCCIONES DE MONTAJE

Herramientas necesarias

Para realizar la instalación del cambia pañales serán necesarias las siguientes herramientas:

	Cinta métrica para instalar el cambia pañales a la altura y a la distancia adecuadas
	Destornillador de estrella para atornillar los elementos de fijación del cambia pañales
	Nivel para instalar el cambia pañales totalmente horizontal respecto el suelo
	Lápiz para realizar las marcas de instalación pertinentes
	Taladro para realizar todos los agujeros necesarios para la instalación
	1 broca de mampostería (broca especial para paredes de ladrillo, mampostería o cemento con punta de widia) de 13/32" (Ø 10mm).

Elementos de fijación suministrados

Con el cambia pañales se suministran los siguientes elementos de fijación:

	Seis tornillos de cabeza Philips autorroscantes (DIN 7981/C A2 de Ø6,3x70 mm) para fijar el cambia pañales a la pared
	Seis tacos de nylon de Ø10mm para insertar en los agujeros de instalación del cambia pañales
	Cuatro arandelas planas (DIN125 M8 A2) que se montarán junto a los cuatro tornillos de cabeza Philips autorroscantes de Ø6,3x70 mm inferiores de la estructura metálica
	Cuatro tornillos de cabeza Philips sin punta (DIN7985 A2 M4x8 mm) para fijar el dispensador de sabanitas a la estructura metálica de la pared
	Cuatro arandelas planas (DIN125 M4 A2) que se montarán junto a los cuatro tornillos de cabeza Philips sin punta (M4x8 mm) para fijar el dispensador de sabanitas

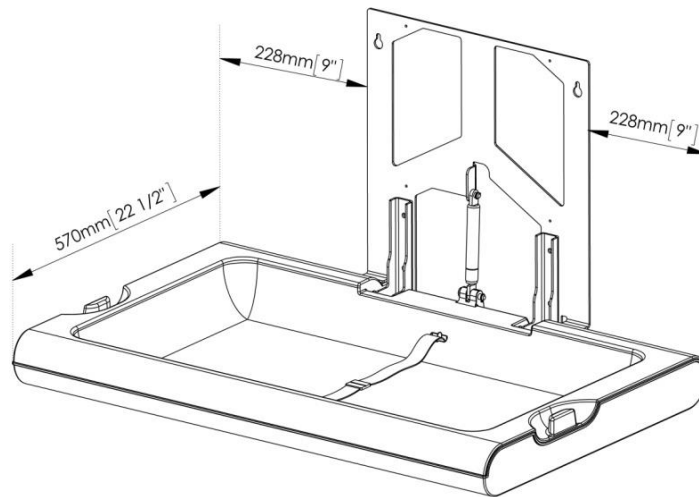
Paso 1. Inspección del material

Es muy importante realizar una inspección visual del embalaje del cambia pañales exteriormente, para verificar que no haya sufrido ningún tipo de daño durante el transporte y la manipulación. Si se observan daños en el embalaje se deberá inspeccionar cuidadosamente el cambia pañales para comprobar si hay algún tipo de desperfecto. **EL CAMBIA PAÑALES NO DEBERÁ SER INSTALADO, BAJO NINGUNA CIRCUNSTANCIA, SI SE OBSERVA ALGÚN TIPO DE DAÑO.**

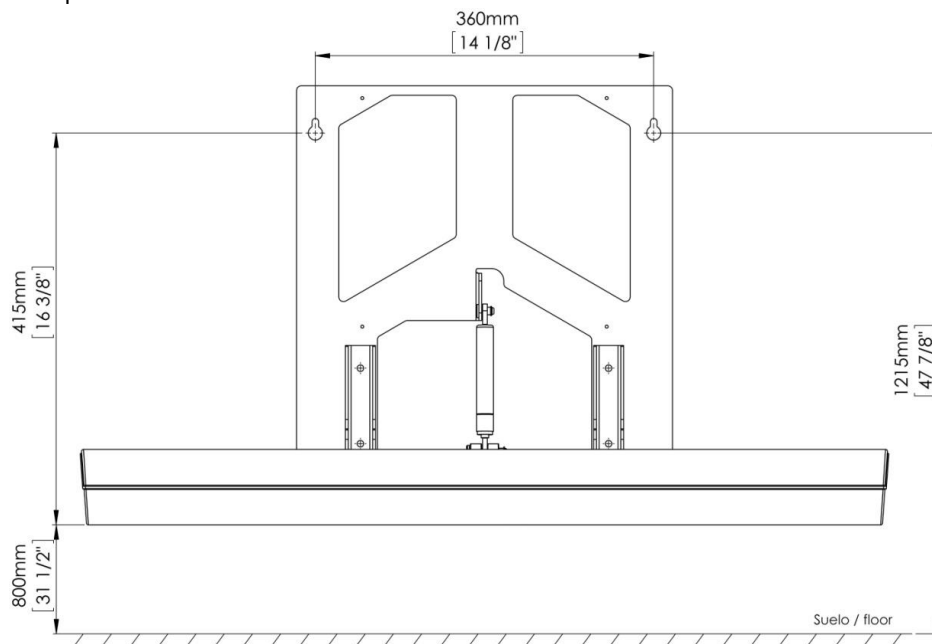
Sacar todo el material fuera del embalaje y comprobar que no falte ningún componente de montaje (cama con la estructura de montaje a la pared y el dispensador de sabanitas higiénicas), ni ninguna pieza de tornillería (ver tabla de elementos de fijación suministrados).

Paso 2. Preparación de la superficie de montaje

Una vez desembalado e inspeccionado el material se seleccionará el área de la pared donde ha de instalarse el cambia pañales. Es muy importante tener en cuenta y respetar, las distancias de operación señaladas en la figura inferior y que son de 9" (228 mm) a ambos lados del chasis de fijación del cambia pañales a la pared y de 22 1/2" (570 mm) de la cama del cambia pañales cuando está abierta, respecto de la pared.



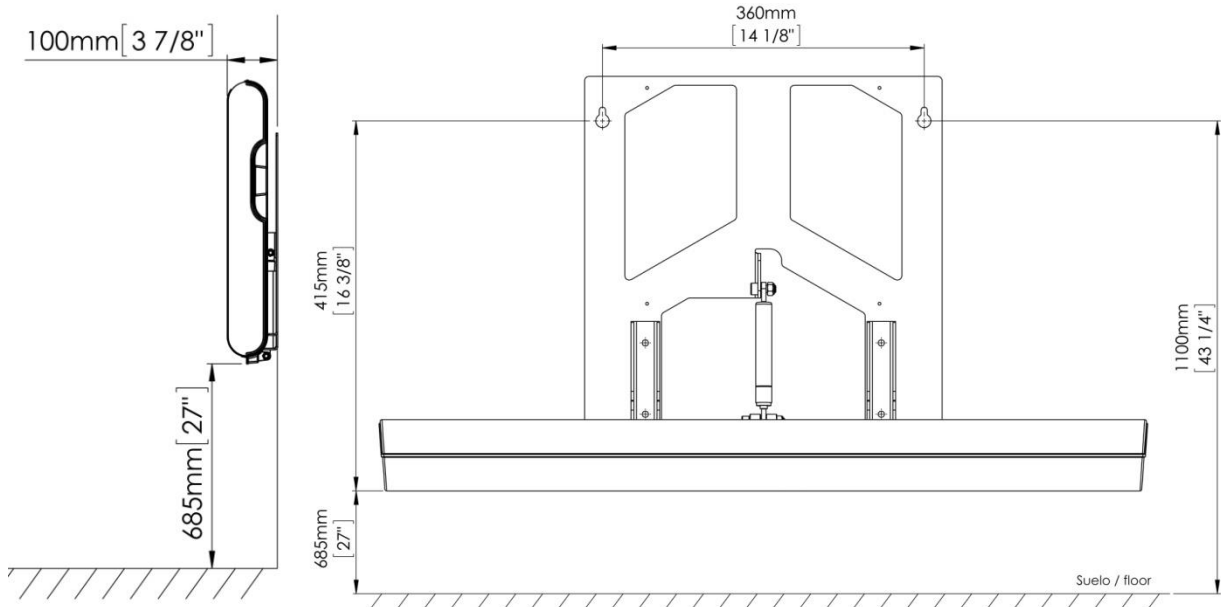
La altura recomendada de instalación es de 31 1/2" (800 mm) desde el suelo hasta la parte más baja del cambia pañales. El croquis siguiente muestra a qué altura deben realizarse los agujeros para que el cambia pañales quede instalado a la altura recomendada:



Seguindo el esquema anterior marcar con el lápiz, sobre la pared, los dos agujeros superiores de la estructura de sujeción del cambia pañales. Es muy importante asegurar que las ubicaciones que se hayan marcado a lápiz para los agujeros de montaje estén al mismo nivel antes de realizar las perforaciones.

Instalación según normativa ADA.

Si es necesario que la instalación cumpla con la normativa ADA (EE.UU), la instalación tiene que hacerse teniendo en cuenta las siguientes cotas de instalación.



Paso 3. Montaje de la cama y la estructura de sujeción del cambia pañales a la pared.

Instalación sobre pared de ladrillo, mampostería o cemento.

Con la broca de mampostería, realizar los dos taladros de 13/32" (Ø 10mm) de la parte superior del cambia pañales que previamente han sido marcados, a una profundidad mínima de 2 3/4" (70 mm).

Limpiar de polvo los dos agujeros e introducir dentro de ellos dos de los tacos de nylon de Ø10 mm.

Atornillar dos de los tornillos de montaje de Ø6,3x70 mm en los dos tacos colocados anteriormente, no llegando a fondo y dejando un espacio de aproximadamente 7/32" (5 mm) entre la cabeza del tornillo y la pared.

Colgar la estructura de sujeción del cambia pañales de los dos tornillos colocados previamente, verificando que la unidad está perfectamente nivelada. Una vez asegurado que el cambia pañales está perfectamente nivelado apretar a fondo los dos tornillos superiores.

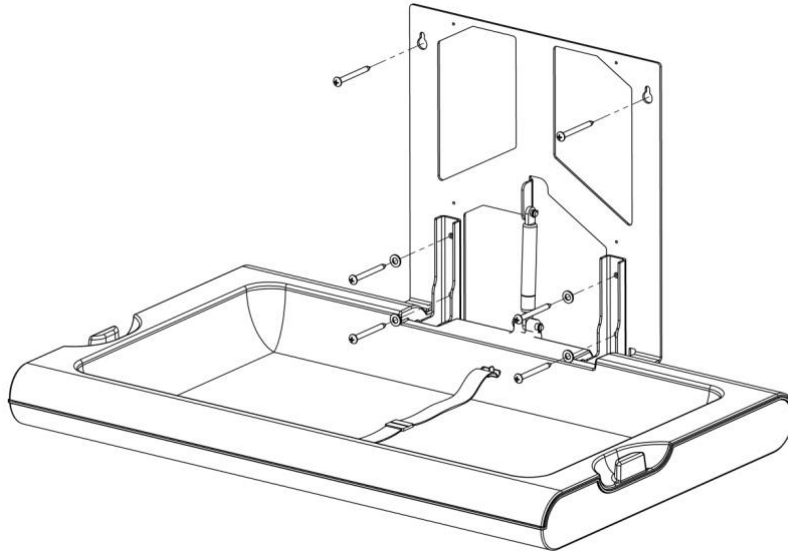
Usar los cuatro orificios inferiores de la estructura de sujeción del cambia pañales a la pared, como guía para marcar la posición de los cuatro taladros restantes.

Aflojar los tornillos superiores y retirar el cambia pañales.

Tomando como referencia las marcas realizadas anteriormente, taladrar los cuatro agujeros inferiores con la broca de 13/32" (Ø 10mm) y a una profundidad mínima de 2 3/4" (70 mm).

Una vez realizados proceder a su limpieza interior y colocar los cuatro tacos de nylon de $\varnothing 10$ mm restantes.

Volver a colocar el cambia pañales sobre los dos tornillos superiores y fijar la estructura a la pared con los cuatro tornillos $\varnothing 6,3 \times 70$ mm y las cuatro arandelas DIN125 M8 de los agujeros inferiores, después apretar a fondo los dos tornillos superiores, en la siguiente figura se muestra la distribución de los componentes:



Comprobar que los seis tornillos de fijación de la unidad a la pared han sido correctamente apretados y que el cambia pañales se encuentra firmemente fijado a la pared.

Instalación sobre pared de placas de yeso/pladur o huecas.

Los sistemas de fijación suministrados con este cambia pañales no son aptos para realizar la instalación del mismo sobre paredes de placas de yeso/pladur o huecas.

Para llevar a cabo la instalación de esta unidad en paredes de este tipo se deberán utilizar anclajes y útiles específicos para sujeción para paredes de placas de yeso / pladur o huecas.

Debido a la problemática que plantean las instalaciones en este tipo de paredes, en cuanto a sujeción se refiere, se recomienda que la instalación la lleven a cabo técnicos especialistas en instalaciones sobre este tipo de paredes. Saniflow Hand Dryer Corporation no se responsabiliza de las instalaciones de sus cambia pañales llevadas a cabo sobre paredes de placas de yeso / pladur o huecas.

Paso 4. Montaje del dispensador de sábanitas a la estructura de sujeción del cambia pañales

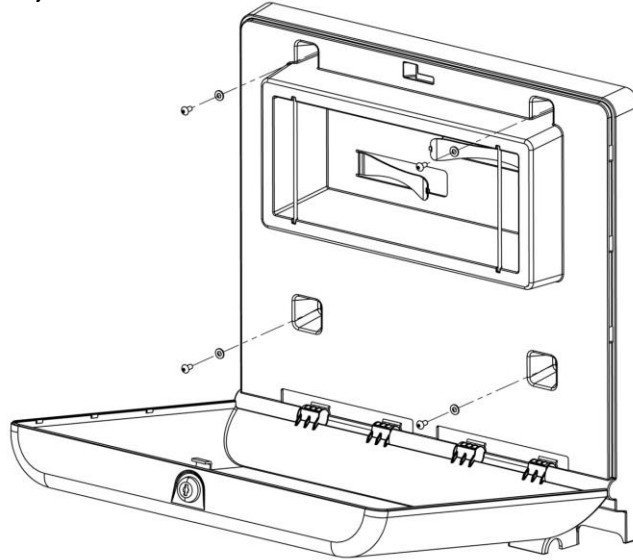
Tomar el dispensador de sábanitas y después de verificar que no esté dañado ni rayado, posicionarlo sobre la estructura metálica, siguiendo la secuencia de pasos indicada a continuación y asegurando así su correcta posición con los ejes metálicos



Abrir el dispensador de sabanitas con la llave especial suministrada. Los cuatro orificios de fijación de este dispensador de sabanitas a la estructura de sujeción del cambia pañales quedarán a la vista.

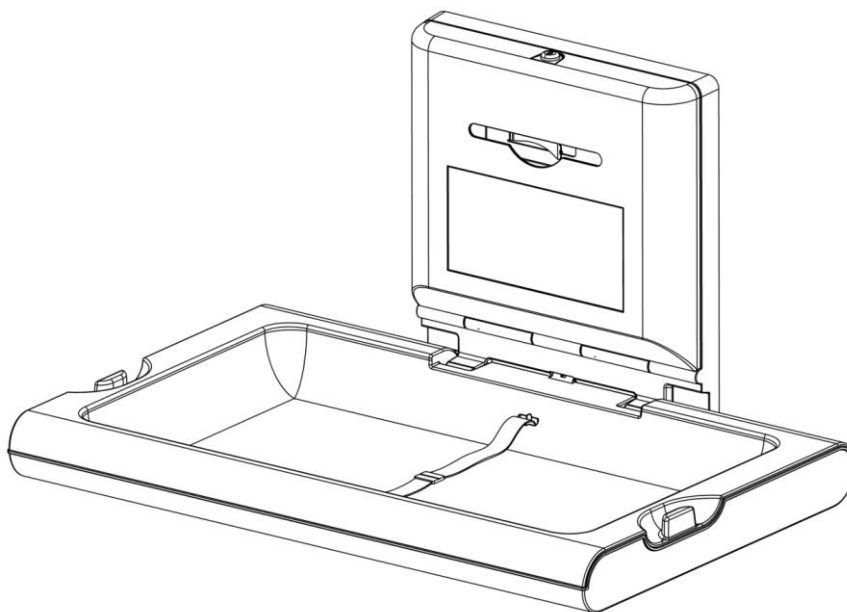
Encarar el dispensador con la estructura de sujeción del cambia pañales y alinear los orificios de montaje del dispensador.

Fijar el dispensador de sabanitas a la estructura de sujeción del cambia pañales con los cuatro tornillos M4x8mm y las cuatro arandelas planas DIN125 M4, tal y como se muestra en la figura. Comprobar y asegurar su correcta fijación.



Paso 5. Revisión final antes de la puesta en servicio

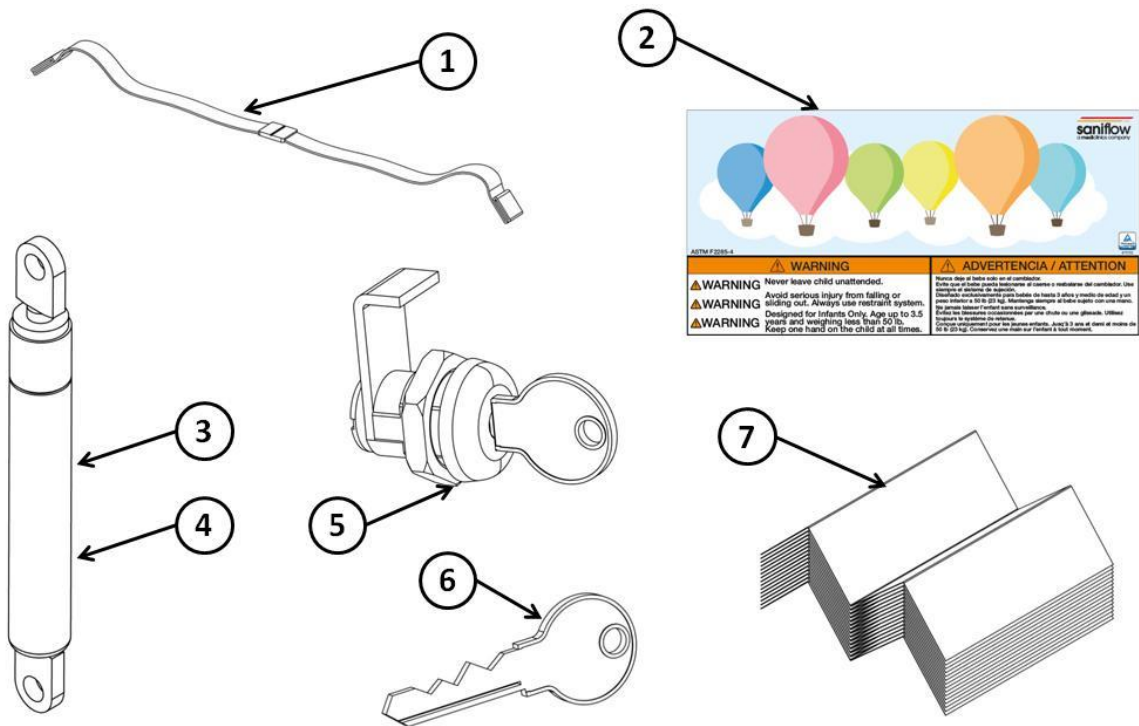
Limpiar y desinfectar a fondo el cambia pañales. Es muy importante que se verifique que la unidad abre y cierra con suavidad y que no se ha producido ningún desperfecto durante la instalación del cambia pañales. En resumen es muy importante que se verifique, una vez finalizada la instalación del cambia pañales que está en perfecto estado para ser utilizado sin problemas.



DESPIECE BÁSICO

Recuerde que cualquier componente adicional o pieza de recambio que se necesite para este cambia pañales deberá ser adquirido solamente al fabricante o a un distribuidor autorizado.

COMPONENTE	Nº	CÓDIGO
Cinturón	1	KIT-BELT-ASTM
Etiqueta ASTM	2	RC9691020ASTM
Amortiguador CP0016H	3	RC9161001SMD
Amortiguador CP0016HCS	4	RC9161002SMD
Cerradura + llave	5	RC9483003SMD
Llave	6	RC99065
Sábanas protectoras	7	CN0020

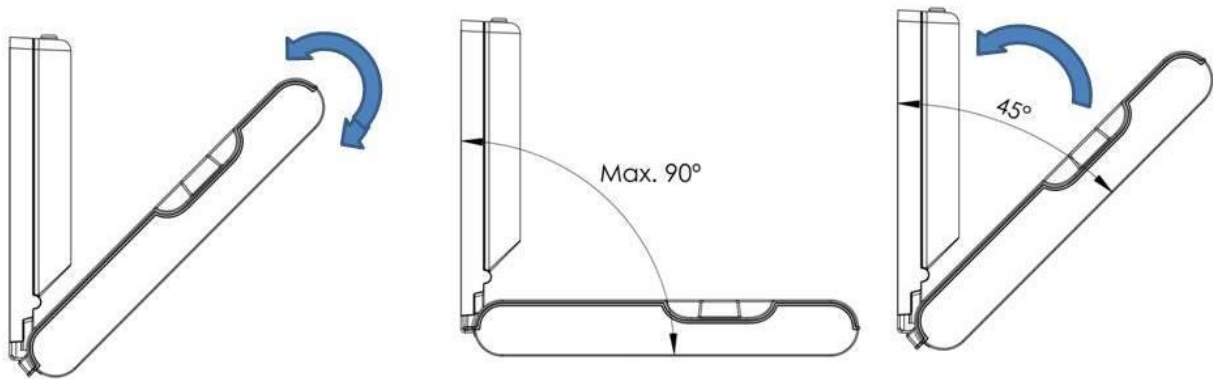


RECOMENDACIONES DEMANTENIMIENTO PREVENTIVO Y LIMPIEZA

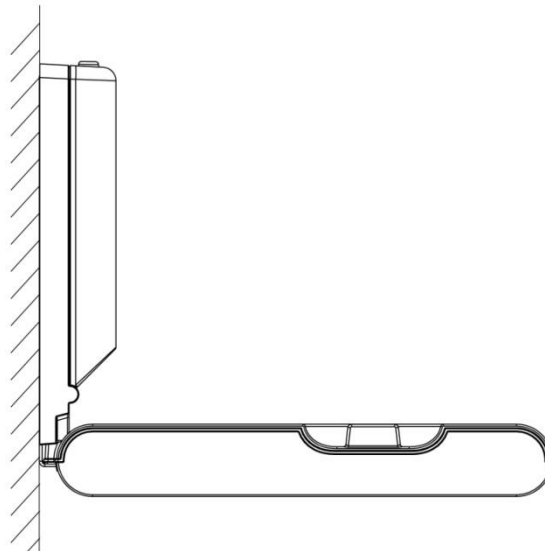
Un adecuado mantenimiento preventivo y una cuidada limpieza son básicos para un uso idóneo, limpio y seguro del producto.

Para un correcto mantenimiento se deben de seguir los siguientes pasos:

- Inspeccione los componentes del cambia pañales: asegúrese de que no existen grietas, abolladuras o cualquier otro síntoma que haga pensar en el desperfecto del producto.
- Inspeccione la apertura del cambiador: abra y cierre la bandeja, verifique que no abre más de 90° y que subiendo la bandeja una vez pasado 45° se cierra completamente de manera automática. Los movimientos deben de ser suaves y continuos, de no ser así es posible que el amortiguador no esté funcionando correctamente.



- Inspeccione la fijación a la pared: es uno de los puntos más importantes, asegúrese que sigue firmemente fijado y que no hay juego o movimiento apreciable entre la parte fija del cambia pañales y la pared.



- Inspeccione la fijación del dispensador sabanitas a la estructura metálica: abra la tapa del dispensador y compruebe que los 4 tornillos de sujeción están bien apretados con sus arandelas correspondientes.

- Inspeccione el cinturón: este debe de estar correctamente fijado al cambia pañales, no debe de estar deshilachado, el cierre del cinturón debe de hacer "clic" cuando se cierra y se debe de poder regular de manera sencilla. Si algo de lo comentado no se cumple debe de cambiar el cinturón.



- Inspeccione la etiqueta: si ésta no está, si se encuentra deteriorada, si no es legible o no está bien adherida, debe poner una nueva.

ASTM F2285-4

WARNING	ADVERTENCIA / ATTENTION
<p> WARNING Never leave child unattended.</p> <p> WARNING Avoid serious injury from falling or sliding out. Always use restraint system.</p> <p> WARNING Designed for Infants Only. Age up to 3.5 years and weighing less than 50 lb. Keep one hand on the child at all times.</p>	<p>Nunca deje al bebé solo en el cambiador. Evite que el bebé pueda lesionarse al caerse o resbalar del cambiador. Use siempre el sistema de sujeción. Diseñado exclusivamente para bebés de hasta 3 años y medio de edad y un peso inferior a 50 lb (23 kg). Mantenga siempre al bebé sujeto con una mano. Ne jamais laisser l'enfant sans surveillance. Évitez les blessures occasionnées par une chute ou une glissade. Utilisez toujours le système de retenue. Conçue uniquement pour les jeunes enfants. Jusqu'à 3 ans et demi et moins de 50 lb (23 kg). Conservez une main sur l'enfant à tout moment.</p>

Saniflow Hand Dryer Corporation 3325 NW 70th Ave. Miami, FL 33122 USA Toll free: 1-877-222-9125

Para una correcta limpieza se deben de seguir los siguientes pasos:

- Es aconsejable para evitar el contacto con el detergente que antes de limpiar se retiren las sabanitas de su alojamiento.
- Limpie todas las piezas plásticas del cambia pañales con un jabón desinfectante.
- En el caso del modelo CP0016HCS, evite el contacto del jabón desinfectante con el frontal de acero inoxidable, éste tiene que ser limpiado con un limpiador para acero inoxidable estándar y un trapo suave.
- Retire los restos de jabón con un trapo seco, cerciorándose de que la limpieza ha sido efectiva y que no quedan restos ni de suciedad ni de jabón.
- Una vez secado el cambia pañales vuelva a poner las sabanitas en su alojamiento y cierre la tapa frontal con la cerradura.
- Haga una última inspección visual para comprobar que el cambia pañales está correctamente limpio.
- Deje el cambia pañales en su posición de cerrado.

ADVERTENCIA



ADVERTENCIA Nunca deje al bebe solo en el cambiador.



ADVERTENCIA Evite que el bebe pueda lesionarse al caerse o resbalarse del cambiador. Use siempre el sistema de retención.



ADVERTENCIA Diseñado exclusivamente para bebés de hasta 3 años y medio de edad y un peso inferior a 50 lb (23 kg). Mantenga siempre al bebe sujeto con una mano.

 WARNING	
	WARNING Never leave child unattended.
	WARNING Avoid serious injury from falling or sliding out. Always use restraint system.
	WARNING Designed for Infants Only. Age up to 3.5 years and weighing less than 50 lb. Keep one hand on the child at all times.

AVANT DE COMMENCER

TRÈS IMPORTANT CONSERVEZ CES INSTRUCTIONS POUR DE FUTURES CONSULTATIONS. LISEZ ATTENTIVEMENT ET PRENEZ EN COMPTE TOUTES LES INSTRUCTIONS ET RECOMMANDATIONS QUI SONT DÉCRITES TOUT AU LONG DE CE MANUEL.

INSTRUCTIONS DE SÉCURITÉ

- Seul un technicien qualifié peut installer, régler et réaliser l'entretien de cette table à langer. Toutes les opérations qui sont réalisées sur celle-ci doivent respecter la législation et les normes de sécurité actuellement en vigueur. Saniflow Hand Dryer Corporation n'est pas responsable des dommages provenant d'une mauvaise installation ou utilisation ou d'un mauvais entretien de cette table à langer.
- Il est primordial, une fois installée et prête à être utilisée, que cette table à langer soit régulièrement inspectée pour vérifier la fixation ferme au mur et qu'elle ne souffre d'aucune imperfection qui puisse causer des dommages aux utilisateurs. Il est très important de vérifier que la table à langer s'ouvre et se ferme correctement.
- Chaque composant supplémentaire ou pièce de rechange nécessaire pour cette table à langer doit être acquis uniquement chez un fabricant ou un distributeur autorisé.
- En aucun cas vous ne devez utiliser la table à langer en présence de signes qu'une des pièces de cette dernière est cassée, déchirée ou manquante.
- La table à langer doit être fixée à un mur capable de supporter sans aucun problème les charges auxquelles il sera soumis quotidiennement et les modes de fixation les mieux adaptés doivent s'utiliser pour chaque type de mur.
- Le poids total maximal recommandé pour cette table à langer (bébé et sac à langer inclus) est de 65 livres (30 kg env.). Un poids excessif peut créer des situations de danger ou d'instabilité pour bébé.
- Tous les raccords de montage et les fixations au mur doivent toujours être bien serrés et contrôlés régulièrement afin de vérifier leur bonne fixation.
- Il est très important d'installer la table à langer loin des sources de chaleur ou de feux ouverts afin d'éviter le risque d'incendie de l'unité.
- Si la table à langer souffre des dommages, il est extrêmement important de la démonter du mur et de réaliser une inspection minutieuse de l'unité et du mur où elle sera installée pour détecter et solutionner tout problème pouvant entraîner un accident.
- Pour un meilleur confort et une sécurité augmentée, des draps hygiéniques doivent toujours être disponibles sur la table à langer et l'unité doit être nettoyée à fond tous les jours pour réduire au maximum la propagation de maladies infectieuses.
- Le bébé ne doit être laissé à aucun moment sans attention sur la table à langer.
- Cette dernière a été conçue pour être utilisée sans coussin. Veuillez ne pas utiliser de coussin ou tout autre élément qui pourrait affecter la position de l'enfant sur la table à langer.
- Placer les paquets et/ou accessoires sur la table à langer peut déséquilibrer cette dernière.
- Évitez les blessures occasionnées par une chute ou une glissade. Utilisez toujours le système de retenue.
- **Dispositif de retenue:** Placer toujours le bébé au centre de la table à langer, entourer sa ceinture avec la sangle et vérifier que la fermeture a cliqué à la fermeture. Serrer ou desserrer la sangle si besoin pour obtenir une parfaite fixation du bébé sur la table à langer. La sangle ne doit pas trop serrer le bébé car cela pourrait lui entraver sa respiration ou lui provoquer des blessures par compression, elle ne doit pas être trop lâche non plus car il pourrait glisser et tomber par terre.

INSTRUCTIONS DE MONTAGE

Outils nécessaires

Afin de réaliser l'installation de la table à langer, les outils suivants seront nécessaires :

	Mètre ruban pour installer la table à langer à la hauteur et à la distance adéquates
	Tournevis Phillips pour visser les éléments de fixation de la table à langer.
	Niveau pour installer la table à langer de manière totalement horizontale par rapport au sol
	Crayon pour faire les marques d'installation adaptées
	Perceuse pour réaliser tous les trous nécessaires à l'installation
	1 mèche de maçonnerie (mèche spéciale pour murs en briques, de maçonnerie ou pour ciment avec pointe de widia) de Ø 10 mm.

Éléments de fixation fournis

Les éléments de fixation suivants sont fournis avec la table à langer.

	Six vis à tête Phillips à auto filetage (DIN 7981/C A2 de Ø6,3 x 70 mm) pour fixer la table à langer au mur
	Six chevilles en nylon de Ø10 mm à insérer dans les trous d'installation de la table à langer
	Quatre rondelles plates (DIN125 M8 A2) qui seront montées aux quatre vis à tête Phillips à auto filetage de Ø6,3 x 70 mm inférieures de la structure métallique
	Quatre vis à tête Phillips sans pointe ((DIN7985 A2 M4x8 mm) pour fixer le distributeur de draps à la structure métallique du mur
	Quatre rondelles plates (DIN125 M4 A2) qui se montent avec les quatre vis à tête Phillips sans pointe (M4x8 mm) pour fixer le distributeur de draps

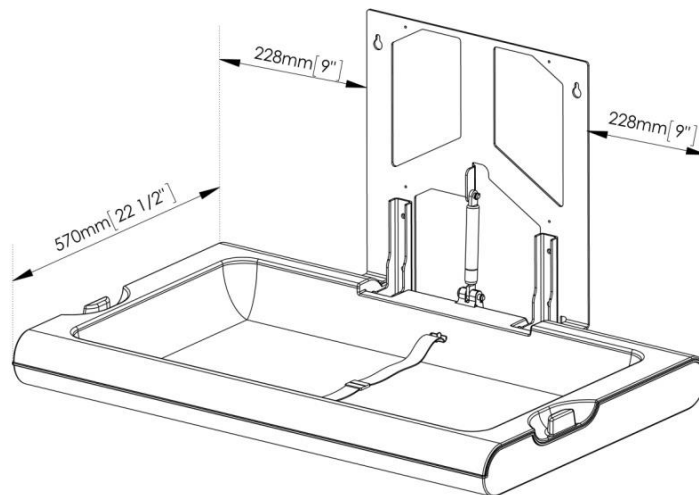
Étape 1 Inspection du matériel

Il est primordial de réaliser une inspection visuelle de l'emballage de la table à linge extérieurement, afin de vérifier qu'elle n'a subi aucun type de dommages lors du transport ou de la manipulation. Si vous observez des dommages sur l'emballage, vous devrez inspecter minutieusement la table pour vérifier qu'il n'y a aucun défaut. **LA TABLE A LANGER NE DEVRA ÊTRE INSTALLÉE EN AUCUN CIRCONSTANCE SI VOUS OBSERVEZ UN DÉFAUT, QUELLE QUE SOIT SA NATURE.**

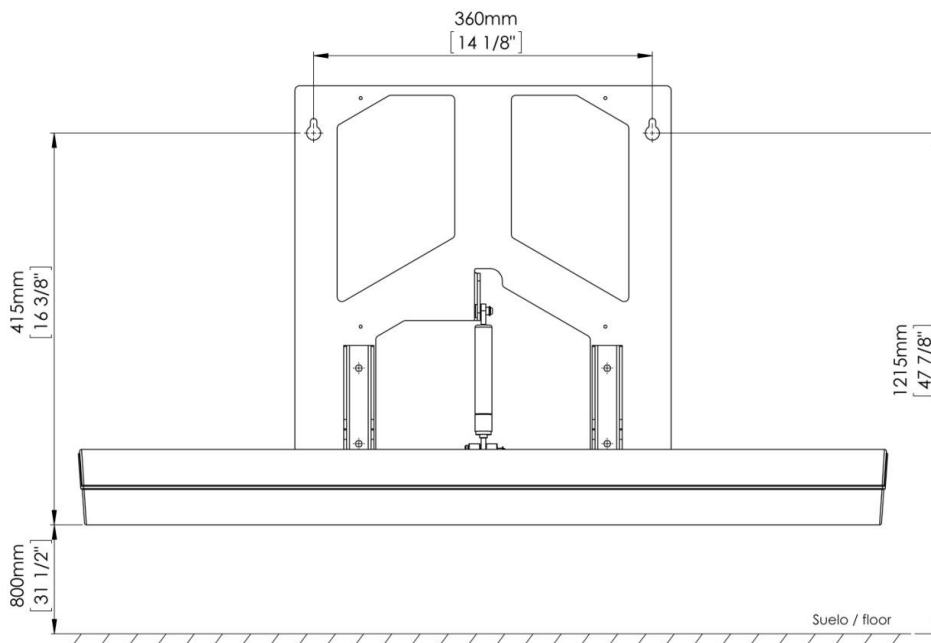
Sortir tout le matériel de l'emballage et vérifier qu'il ne manque aucun composant de montage (lit avec structure de montage au mur et distributeur de serviettes hygiéniques), ni aucune pièce de visserie (voir tableau des éléments de fixation fournis).

Étape 2 Préparation de la surface de montage

Une fois l'emballage retiré et le matériel inspecté, la zone du mur où vous installerez la table à langer sera sélectionnée. Il est extrêmement important de prendre en compte et respecter les distances d'opération signalées sur le schéma ci-dessous qui sont de 9" (228 mm) de chaque côté du châssis de fixation de la table à langer au mur et de 22 1/2" (570 mm) du lit de cette dernière lorsqu'il est ouvert, par rapport au mur.



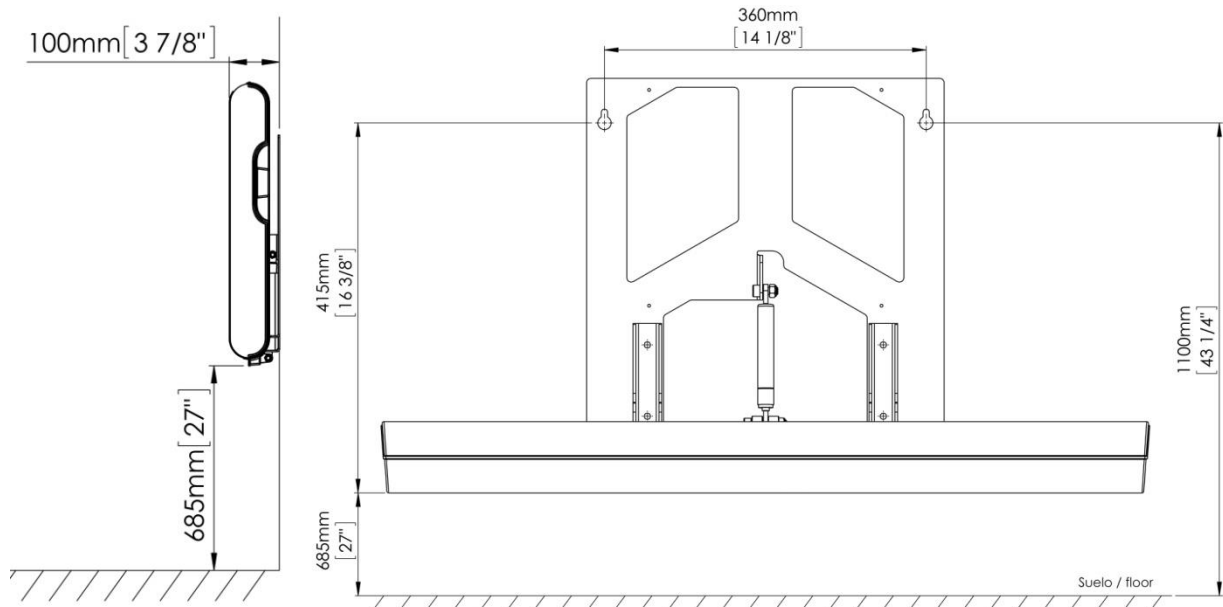
La hauteur recommandée d'installation est à 31 1/2" (800 mm) du sol jusqu'à la partie la plus basse de la table à langer. Le croquis suivant montre à quelle hauteur les trous doivent être percés pour que la table soit installée à la hauteur recommandée :



En suivant le schéma antérieur, marquer à l'aide d'un crayon sur le mur les deux trous supérieurs de la structure de fixation de la table à langer. Il est important de s'assurer que les emplacements marqués au crayon pour les trous de montage soient au même niveau avant de percer.

Installation conforme à la norme ADA.

S'il est nécessaire que l'installation respecte la norme ADA (américaine), l'installation doit s'effectuer en prenant en compte les cotes d'installation suivantes :



Étape 3 Montage du lit et de la structure de fixation de la table à langer au mur.

Installation sur le mur en briques, de maçonnerie ou ciment.

Avec la mèche de maçonnerie, réaliser les deux trous de 13/32" (Ø 10mm) de la partie supérieure de la table à langer qui ont été précédemment marqués, à une profondeur minimale de 2 3/4" (70 mm).

Retirer la poussière des trous et y introduire les deux chevilles en nylon de Ø10 mm.

Visser deux des vis de montage de Ø6,3 x 70 mm dans les deux chevilles précédemment placées, sans aller jusqu'au bout et en laissant un espace d'environ 7/32" (5 mm) entre la tête de la vis et le mur.

Coller la structure de fixation de la table à langer des deux vis précédemment placées, en vérifiant que l'unité est parfaitement nivelée. Une fois assuré que la table à langer est parfaitement nivelée, enfoncer complètement les deux vis supérieures.

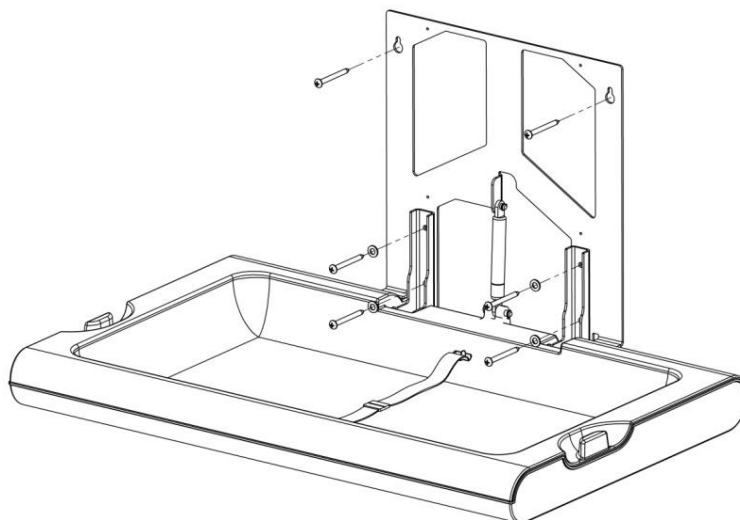
Utiliser les quatre orifices inférieurs de la structure de fixation de la table à langer au mur comme guide pour marquer la position des quatre trous restants.

Dévisser les vis supérieures et retirer la table à langer.

En prenant comme points de référence les marques réalisées antérieurement, percer les quatre trous inférieurs avec la mèche de 13/32" (Ø 10mm) et à une profondeur minimale de 2 3/4" (70 mm).

Une fois cela effectué, effectuer leur nettoyage intérieur et placer les quatre chevilles en nylon de Ø10 mm restantes.

Repositionner la table à langer sur les deux vis supérieures et fixer la structure au mur avec les quatre vis Ø6,3x70 mm et le quatre rondelles DNI125 M8 des orifices inférieurs, puis enfoncer à fond les deux vis supérieures. La répartition des composants est présente sur le schéma ci-dessous :



Vérifier que les six vis de fixation de l'unité au mur ont été correctement serrées et que la table à langer est fermement fixée au mur.

Installation sur un mur de plaques de plâtre/placoplâtre ou creuses.

Les systèmes de fixation fournis avec cette table à langer ne sont pas adaptés pour réaliser l'installation de cette dernière sur des murs de plaques de plâtre/placoplâtre ou creuses.

Pour mener à bien l'installation de cette unité sur des murs de ce type, des fixations et des outils spécifiques pour la fixation sur des murs en plaques de plâtre/placoplâtre ou creuses doivent être utilisés.

En raison de la problématique que posent les installations sur ce type de murs concernant la fixation, il est recommandé que des techniciens spécialistes de ce type d'installation effectuent celle-ci. Saniflow Hand Dryer Corporation décline toute responsabilité sur les installations de tables à langer réalisées sur des murs en plaques de plâtre/placoplâtre ou creuses.

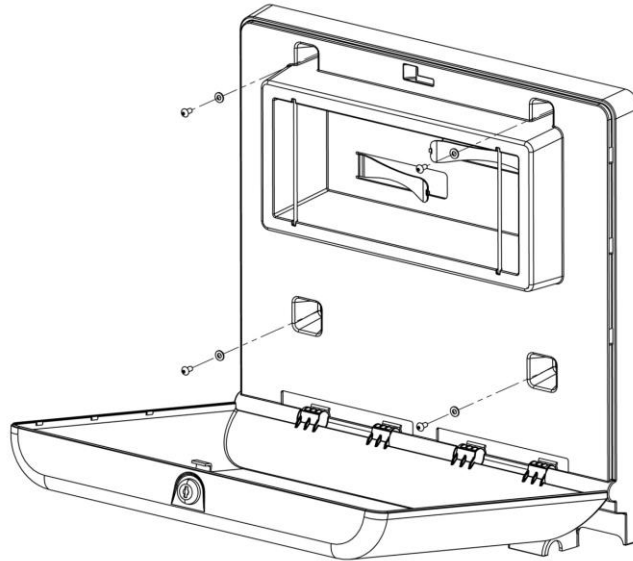
Étape 4 Montage du distributeur de draps à la structure de fixation de la table à langer

Prendre le distributeur de draps et après avoir vérifié qu'il n'est pas endommagé ni rayé, le placer sur la structure métallique en suivant la séquence d'étapes indiquée ci-dessous et en s'assurant de son bon positionnement avec les axes métalliques



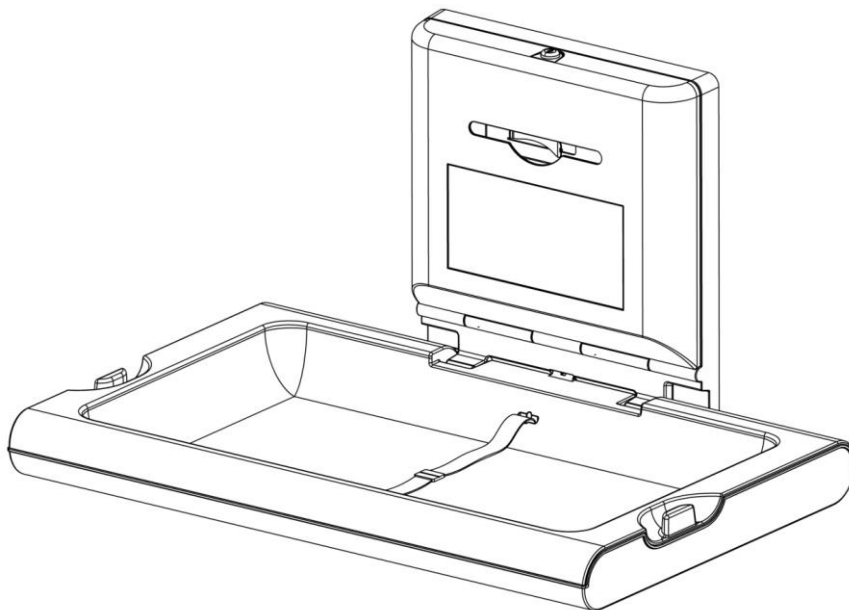
Encastrez le distributeur à la structure de fixation de la table à langer et aligner les orifices de montage au distributeur.

Fixer le distributeur de draps à la structure de fixation de la table à langer avec les quatre vis M4x8 mm et les quatre rondelles plates DIN125 M4, comme indiqué sur le schéma. Vérifier et assurer sa bonne fixation.



Étape 5 Révision finale avant la mise en service

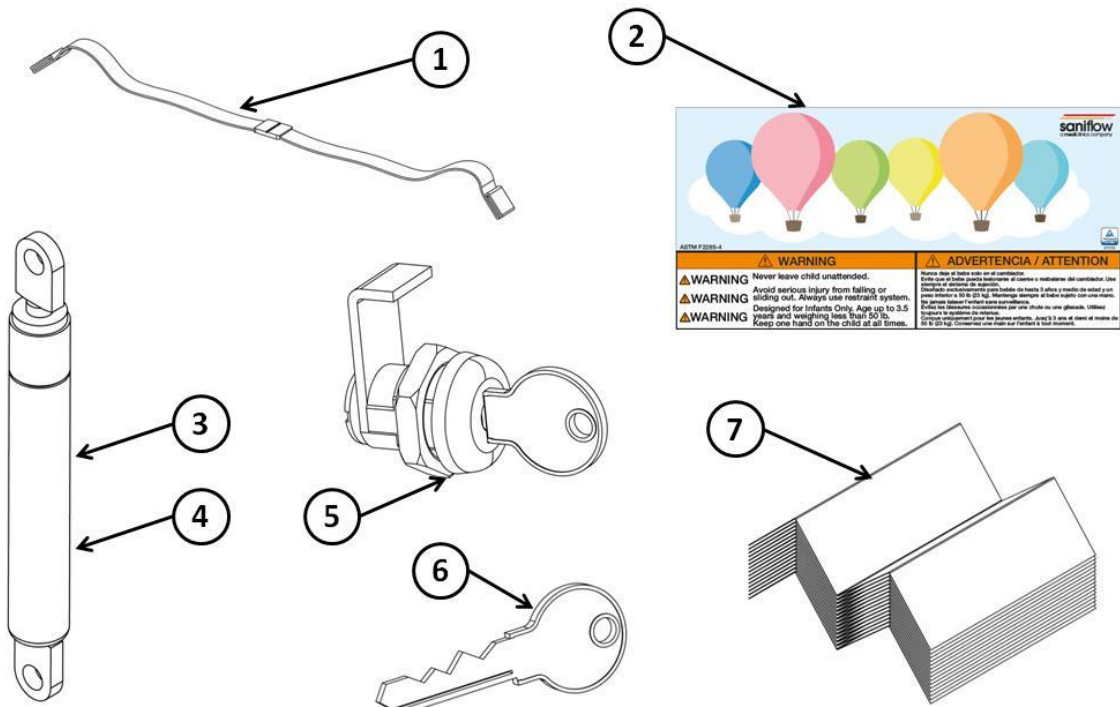
Nettoyer et désinfecter totalement la table à langer. Il est primordial de vérifier que l'unité s'ouvre et se ferme doucement et qu'aucune imperfection n'est présente lors de l'installation. En résumé, il est très important de vérifier, une fois terminée l'installation de la table à langer qu'elle est en parfait état pour une utilisation sans problèmes.



Éléments de base

N'oubliez pas que tout élément supplémentaire ou pièce de rechange nécessaire pour cette table à langer doit être acquis uniquement chez un fabricant ou un distributeur autorisé.

ÉLÉMENT	N°	CODE
Sangle	1	KIT-BELT-ASTM
Étiquette ASTM	2	RC9691020ASTM
Amortisseur CP0016H	3	RC9161001SMD
Amortisseur CP0016HCS	4	RC9161002SMD
Verrou + clé	5	RC9483003SMD
Clé	6	RC99065
Draps protecteurs	7	CN0020

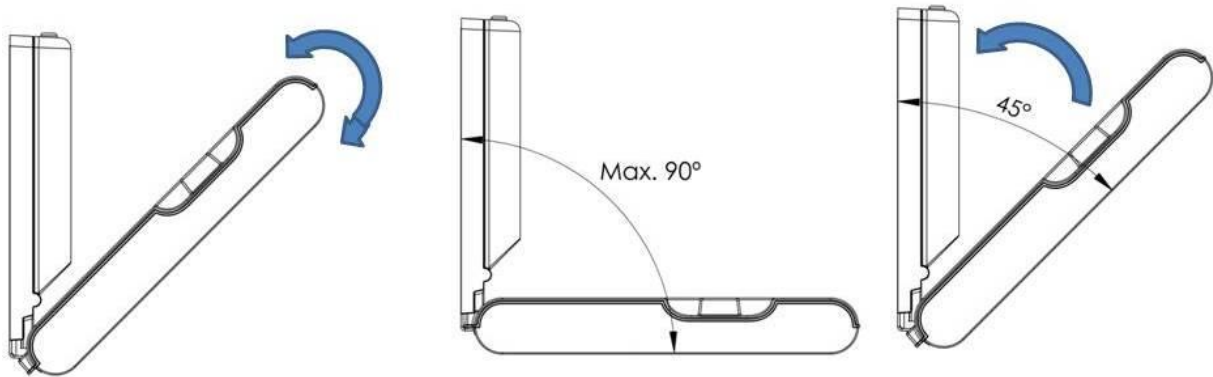


RECOMMANDATIONS D'ENTRETIEN PRÉVENTIF ET DE NETTOYAGE

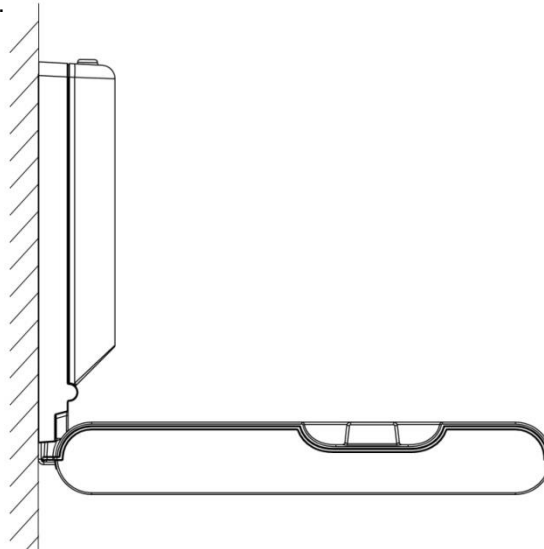
Un entretien adéquat préventif et un nettoyage minutieux sont primordiaux pour une utilisation appropriée, propre et sûre du produit.

Pour un entretien correct, veuillez suivre les étapes suivantes :

- Inspectez les éléments de la table à langer : assurez-vous qu'il n'y a aucune fissure, bosse ou toute autre trace d'imperfection du produit.
- Inspectez l'ouverture de l'échangeur : ouvrez et fermez le plateau, vérifiez qu'il ne s'ouvre pas à plus de 90 ° et qu'en soulevant le plateau, il se ferme complètement de manière automatique à plus de 45 °. Les mouvements doivent être souples et continus. Dans le cas contraire, il est possible que l'amortisseur ne fonctionne pas correctement.



- Inspectez la fixation au mur. Il s'agit d'un des points les plus importants. Assurez-vous que l'unité reste fermement fixée et qu'il n'y a pas de jeu ou mouvement notable entre la partie fixe de la table à langer et le mur.





- Inspectez la fixation du distributeur de draps à la structure métallique : ouvrez le couvercle du distributeur et vérifiez que les 4 vis de fixation sont bien enfoncées avec leurs rondelles correspondantes.

- Inspectez la sangle: celle-ci doit être correctement fixée à la table à langer, elle ne doit pas être effilochée, la sangle doit faire "clic" à la fermeture et doit pouvoir se régler facilement. Si les conditions antérieures ne sont pas assurées, changer la sangle.








- Inspectez l'étiquette: vérifiez qu'elle est bien présente, qu'elle n'est pas détériorée, qu'elle est bien lisible ou qu'elle est bien collée. Dans le cas contraire, vous devez en placer une autre.





ASTM F2285-4

 WARNING	 ADVERTENCIA / ATTENTION
<p> WARNING Never leave child unattended.</p> <p> WARNING Avoid serious injury from falling or sliding out. Always use restraint system.</p> <p> WARNING Designed for Infants Only. Age up to 3.5 years and weighing less than 50 lb. Keep one hand on the child at all times.</p>	<p>Nunca deje al bebé solo en el cambiador. Evite que el bebé pueda lesionarse al caerse o resbalar del cambiador. Use siempre el sistema de sujeción. Diseñado exclusivamente para bebés de hasta 3 años y medio de edad y un peso inferior a 50 lb (23 kg). Mantenga siempre al bebé sujeto con una mano. Ne jamais laisser l'enfant sans surveillance. Évitez les blessures occasionnées par une chute ou une glissade. Utilisez toujours le système de retenue. Conçue uniquement pour les jeunes enfants. Jusqu'à 3 ans et demi et moins de 50 lb (23 kg). Conservez une main sur l'enfant à tout moment.</p>

Saniflow Hand Dryer Corporation 3325 NW 70th Ave. Miami, FL 33122 USA Toll free: 1-877-222-9125

Pour un bon nettoyage, vous devrez suivre les étapes suivantes :

- Il est conseillé de retirer les draps de leur emplacement avant de nettoyer afin d'éviter le contact avec le détergent.
- Nettoyez toutes les pièces en plastique de la table à langer avec un savon désinfectant.
- Dans le cas du modèle CP0016HCS, évitez le contact du savon désinfectant avec le devant de la partie en inox. Utilisez un nettoyant pour inox standard et un chiffon doux.
- Retirez les restes de savon avec un chiffon sec, en s'assurant que le nettoyage a été efficace et qu'il ne reste pas de saleté ni de savon.
- Une fois la table à langer séchée, remettez les draps dans leur emplacement et fermez le couvercle avant avec le verrou.
- Effectuez une dernière inspection visuelle pour vérifier que la table à langer est bien propre.
- Laissez la table à langer dans sa position fermée.

AVERTISSEMENTS



ATTENTION Ne laissez jamais le bébé sans attention sur la table à langer.



ATTENTION Évitez les blessures occasionnées par une chute ou une glissade. Utilisez toujours le système de retenue.



ATTENTION Conçue uniquement pour les jeunes enfants jusqu'à 3 ans et demi et moins de 50 lb (23 kg). Conservez une main sur l'enfant à tout moment.

 WARNING	
	WARNING Never leave child unattended.
	WARNING Avoid serious injury from falling or sliding out. Always use restraint system.
	WARNING Designed for Infants Only. Age up to 3.5 years and weighing less than 50 lb. Keep one hand on the child at all times.

Saniflow Hand Dryer Corporation
3325 NW 70th Ave.
Miami, FL 33122
USA
Toll free: 1-877-222-9125
Tel: 305-424-2433
Fax: 305-424-2435
www.saniflowcorp.com

05/11/18 COD.: 9631020ASTM