

**CP0016VCSB-I-ASTM / CP0016VCS-I-ASTM**

**General Description**

- Surface-mounted baby changing stations with ionizer Ion Hygienic, made of bacterial-resistant polypropylene and with stainless steel AISI 304 exterior.
- High level of safety and cleanliness.
- Models with high strength and durability, suitable for high traffic facilities.
- Trendy and stylish design.
- Ionizer disinfects the baby changing station
- Biocote® antimicrobial additive embedded into its surface, which prevents the growth of viruses, bacteria, fungi and mold.
- With a pair of bag hooks to hang personal belongings close and at hand.
- Fully compliance with the American standard ASTM F2285-04 and the European EN 12221-1 and EN 12221-2 standards.

**Components & Materials**

- CP0016VCSB-I-ASTM: surface-mounted baby changing station made of polypropylene and with a stainless steel AISI 304 exterior, in matte black finish.
- CP0016VCS-I-ASTM: surface-mounted baby changing station made of polypropylene and with a stainless steel AISI 304 exterior, in satin finish.
- BED: with approximately 295 in<sup>2</sup> contoured changing surface area is made of polypropylene in white finish Biocote® antimicrobial additive embedded into its surface, promoting easy cleaning and reducing the growth of odor causing and staining microbes.
- LINER DISPENSER: with lock is made of polypropylene and holds approximately 80 bed liners, minimizing operator refills and discouraging potential vandalism.
- OPEN/CLOSE MECHANISM: concealed from the user's view, it consists of a pair of reinforced hinges and a pneumatic cylinder, ensuring high durability and a smooth opening and closing of the baby changing station.
- MOUNTING CHASSIS: made of steel with a cataphoresis treatment. The corresponding mounting hardware is supplied, making easy the installation of the unit to the wall.
- FRONTAL CHASSIS: made of one-piece AISI stainless steel, 1/32" thick, fixed to the bottom of the bed by means of 4 bolts and 4 nuts, always concealed from the user's view, without joints or edges to ensure the user's safety, a better cleaning and a seamless blending with other satin finish accessories in the washroom.
- IONIZER: disinfects the baby changing station through negative ions (anions), deactivating microscopic particles from the BabyMedi®

**Technical Specifications**

Dimensions	L:21 5/8" x W:4" (closed) / 35" (open) x H:18 7/8"
Weight (empty)	36.6 Lbs.
Liner dispenser capacity	80 units
Recommended installation height	31 1/2" at lowest point
Recommended installation height (handicapped)	27 1/2" at lowest point

**Operation**

Open the BabyMedi® baby changing station. Place the baby on the center of the bed and change your baby's diapers. Close the BabyMedi® station.

Under no circumstance should the baby be left unattended at any time on top of the baby changing station in order to avoid injury from falling or slipping.

Please mark the selected item



code \_\_\_\_\_  
**CP0016VCS-I-ASTM**  
material  
polypropylene /  
stainless steel  
finish  
white / satin



code \_\_\_\_\_  
**CP0016VCSB-I-ASTM**  
material  
polypropylene /  
stainless steel  
finish  
black / satin



## Installation

According to the installation and safety instructions manual supplied with the unit.

**IMPORTANT:** in order to ensure BabyMedi is properly installed it is recommended that a qualified person carries out the installation of the unit. The unit must be properly installed on a wall that is able to sustain a considerable weight and can accommodate the supplied installation hardware. (AA/LR6 alkaline batteries for ionizer not included)

## Certificates & Qualifications

Unit shall be ASTM approved, according F2285-04 standard and GS according EN 12221-1 and EN 12221-2 standards.

## Ideal location

Public spaces such as, shopping centers, airports, public buildings, childcare centers, etc. Models are suitable for high traffic facilities where great strength and durability is needed.

**IMPORTANT:** the Congress of the United has taken a further step towards gender equality by implementing law 114-235 (10/07/2016). By this law, the American Government states that restrooms, both for men and women, in public buildings all around the country, must have diaper changing facilities in place.

## Guide specification

Surface-mounted baby changing stations with ionizer Ion Hygienic, made of bacterial-resistant polypropylene and with stainless steel AISI 304 exterior

BabyMedi® changing stations offer a very high level of safety and cleanliness being the ideal solution for public spaces such as, shopping centers, airports, public buildings, childcare centers, etc. Models suitable for high traffic facilities with high strength and durability.

Their trendy and stylish design, allow these baby changing stations to blend into any space perfectly.

Biocote® antimicrobial additive, based on ion silver technology, is embedded into the surface, promoting an easy cleaning and reducing the growth of odor causing and staining microbes.

BabyMedi® baby changing stations are supplied with child protection straps made of nylon assembled.

A pair of bag hooks (one at the right side and the other one at the left) help to keep personal belongings close and at hand.

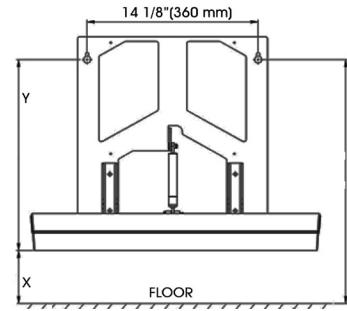
BabyMedi® units fully compliant with the American standard ASTM F2285-04 and the European EN 12221-1 and EN 12221-2 standards that require baby changing stations be able to support a 110 lb static load test during one hour. Moreover, units tested in our own laboratories have withstood loads over 220 lb.

## Overall dimensions:

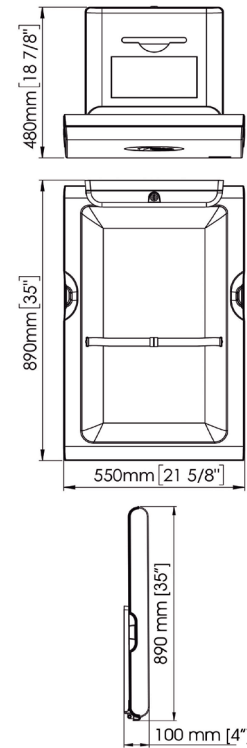
L:21 5/8" x W:4" (closed)/ 35" (open) x H:18 7/8"

Weight: 36.6 Lbs.

## MOUNTING



CP0016VCS-I-ASTM / CP0016VCSB-I-ASTM



## Recommended heights from floor

	Male	Female	Disabled
<b>x</b> To bottom of unit	31 1/2" (800mm)	31 1/2" (800mm)	27 1/2" (700mm)
<b>y</b> To mounting brackets	163/8" (415mm)	163/8" (415mm)	1213/32" (315mm)

Job:

Model number:

Variations:

Architect / Engineer:

Contractor:

Customer / Wholesaler:

City / State / Country:

Date:

Quantity:

Saniflow Corp reserves the right to make changes and/or modifications to the products and their specifications without warning or notice.

For further info please contact SANIFLOW on: Toll free: 1-877-222-9125 or visit our website at [www.saniflowcorp.com](http://www.saniflowcorp.com)

Tel: +1 (305) 424 2433 Fax: +1 (305) 424 2435 · sales@saniflowcorp.com