

**CP0016HCSB-I-ASTM / CP0016HCS-I-ASTM**

**General Description**

- Surface-mounted baby changing stations with ionizer Ion Hygienic, made of bacterial-resistant polypropylene and with stainless steel AISI 304 exterior.
- High level of safety and cleanliness.
- Models with high strength and durability, suitable for high traffic facilities.
- Trendy and stylish design.
- Ionizer disinfects the baby changing station
- Biocote® antimicrobial additive embedded into its surface.
- With a pair of bag hooks to hang personal belongings close and at hand.
- In compliance with the American Standard ASTM F2285-04 and the European EN12221-1 and EN 12221-2 standards.

**Components & Materials**

- CP0016HCSB-I-ASTM: surface-mounted baby changing station made of polypropylene and with a stainless steel AISI 304 exterior, in matte black finish.
- CP0016HCS-I-ASTM: surface-mounted baby changing station made of polypropylene and with a stainless steel AISI 304 exterior, in satin finish.
- BED: with approximately 295 in<sup>2</sup> contoured changing surface area is made of polypropylene in white finish Biocote® antimicrobial additive embedded into its surface, promoting easy cleaning and reducing the growth of odor causing and staining microbes.
- LINER DISPENSER: with lock is made of polypropylene and holds approximately 80 bed liners, minimizing operator refills and discouraging potential vandalism.
- OPEN/CLOSE MECHANISM: concealed from the user's view, it consists of a pair of reinforced hinges and a pneumatic cylinder, ensuring high durability and a smooth opening and closing of the baby changing station.
- MOUNTING CHASSIS: made of steel with a cathoporesis treatment. The corresponding mounting hardware is supplied, making easy the installation of the unit to the wall.
- FRONTAL CHASSIS: made of one-piece AISI stainless steel, 1/32" thick, fixed to the bottom of the bed by means of 4 bolts and 4 nuts, always concealed from the user's view, without joints or edges to ensure the user's safety, a better cleaning and a seamless blending with other satin finish accessories in the washroom.
- IONIZER: disinfects the baby changing station through negative ions (anions), deactivating microscopic particles from the BabyMedi®

**Technical Specifications**

Dimensions	L:33 7/8" x W:3 7/8" (closed) / 22 1/2" (open) x H:18 7/8"
Weight (empty)	35.3 lb
Liner dispenser capacity	80 units
Recommended installation height	31 1/2" at lowest point
Recommended installation height (handicapped)	27 1/2 at lowest point

**Operation**

Open the BabyMedi® baby changing station. Place the baby on the centre of the bed and change your baby's diapers. Close the BabyMedi® station.

Under no circumstance should the baby be left unattended at any time on top of the baby changing station in order to avoid injury from falling or slipping.

Please mark the selected item



code  
**CP0016HCS-I-ASTM**  
material  
polypropylene /  
stainless steel  
finish  
white / satin



code  
**CP0016HCSB-I-ASTM**  
material  
polypropylene /  
stainless steel  
finish  
black / satin



## Installation

According to the installation and safety instructions manual supplied with the unit.

**IMPORTANT:** in order to ensure BabyMedi is properly installed it is recommended that a qualified person carries out the installation of the unit. The unit must be properly installed on a wall that is able to sustain a considerable weight and can accommodate the supplied installation hardware. (AA/LR6 alkaline batteries for ionizer not included)

## Certificates & Qualifications

Unit shall be ASTM approved, according F2285-04 standard and GS according EN 12221-1 and EN 12221-2 standards.

## Ideal location

Public spaces such as, shopping centers, airports, public buildings, childcare centers, etc. Models suitable for high traffic facilities with high strength and durability.

**IMPORTANT:** the Congress of the United has taken a further step towards gender equality by implementing law 114-235 (10/07/2016). By this law, the American Government states that restrooms, both for men and women, in public buildings all around the country, must have diaper changing facilities in place.

## Guide specification

Surface-mounted baby changing stations with ionizer Ion Hygienic, made of bacterial-resistant polypropylene (CP0016H-I-ASTM, CP0016HCSB-I-ASTM and CP0016HCS-I-ASTM) and with stainless steel AISI 304 exterior (CP0016HCSB-I-ASTM and CP0016HCS-ASTM).

BabyMedi® changing stations offer a very high level of safety and cleanliness being the ideal solution for public spaces such as, shopping centers, airports, public buildings, childcare centers, etc. Models suitable for high traffic facilities with high strength and durability.

Their trendy and stylish design, allow these baby changing stations to blend into any space perfectly.

Baby changing station shall assembly an ionizer (Ion Hygienic Technology) which disinfests the BabyMedi® through negative ions (anions) removing microscopic particles from the baby changing station.

Biocote® antimicrobial additive, based on ion silver technology, is embedded into the surface, promoting an easy cleaning and reducing the growth of odor causing and staining microbes. BabyMedi® baby changing stations are supplied with child protection straps made of nylon assembled.

A pair of bag hooks (one at the right side and the other one at the left) help to keep personal belongings close and at hand.

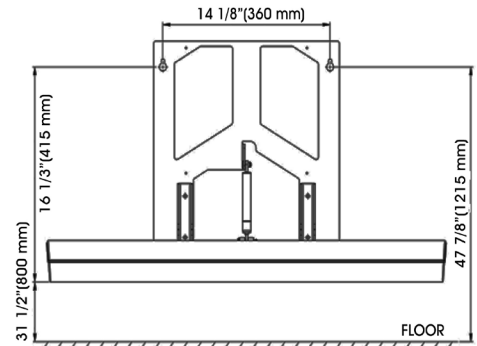
BabyMedi® units fully comply with the American standard ASTM F2285-04 and the European EN 12221-1 and EN 12221-2 standards that require baby changing stations be able to support a 110 lb static load test during one hour. Moreover, units tested in our own laboratories have withstood loads over 220 lb.

## Overall dimensions:

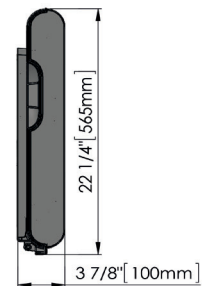
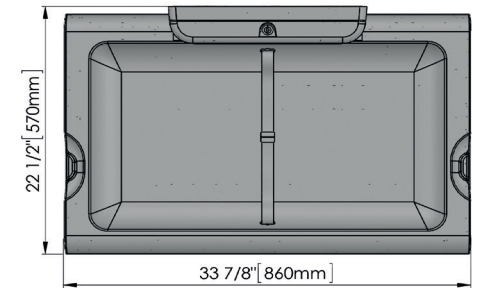
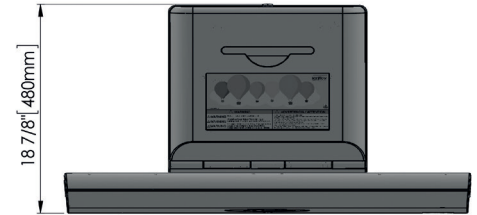
L:33 7/8" x W:3 7/8" (closed)/ 22 1/2" (open) x H:18 7/8"

Weight: 35.3 Lbs.

## MOUNTING



CP0016HCS-I-ASTM / CP0016HCSB-I-ASTM



## Recommended heights from floor

	Male	Female	Disabled
<b>x</b> To bottom of unit	31 1/2" (800mm)	31 1/2" (800mm)	27 1/2" (700mm)
<b>y</b> To mounting brackets	163/8" (415mm)	163/8" (415mm)	12 13/32" (315mm)

Job:

Model number:

Variations:

Architect / Engineer:

Contractor:

Customer / Wholesaler:

City / State / Country:

Date:

Quantity:

Saniflow Corp reserves the right to make changes and/or modifications to the products and their specifications without warning or notice.

For further info please contact SANIFLOW on: Toll free: 1-877-222-9125 or visit our website at [www.saniflowcorp.com](http://www.saniflowcorp.com)

Tel: +1 (305) 424 2433 Fax: +1 (305) 424 2435 · sales@saniflowcorp.com

KT0016HCS-ASTM / KT0016HCSB-ASTM

**General Description**

- Kit to recess the BabyMedi horizontal baby changing station to the wall.
- This kit to recess the BabyMedi horizontal baby changing station allows the changing table to be completely flush with the wall once it is closed, not taking up unnecessary space and thus allowing the creation of more open spaces free of obstacles.
- Possibility of combining finishes between the kit for recess and the baby changing station.
- Maximum robustness and vandal-proof design.
- Excellent integration and aesthetic level

**Components & Materials**

- KT0016HCS-ASTM: kit for recessing into the wall the BabyMedi horizontal baby changing stations CP0016HCS-ASTM or CP0016HCSB-ASTM by Mediclinics. Made of AISI 304 steel with a satin finish.
- KT0016HCSB-ASTM: kit for recessing into the wall the BabyMedi horizontal baby changing stations CP0016HCS-ASTM or CP0016HCSB-ASTM by Mediclinics. Made of AISI 304 steel with a matte black finish.
- WALL BOX: GAUGE 21 thick, made of AISI 304 steel with satin finish (KT0016HCS-ASTM) or matt black finish (KT0016HCSB-ASTM), with 4 Ø 0.3" side holes to fix the changing table to the hole in the wall.
- FRAME: integrated into the same wall box, GAUGE 21 thick, made of AISI 304 steel with a satin finish (KT0016HCS-ASTM) or a matte black finish (KT0016HCSB-ASTM).
- SCREWS: Included 4 wood screws (6x80 mm – 1/4" x 3 1/8") for recessed kit assembly to wood stud wall (Fasteners for other substrates to be provided by the installer). Included 6 machined screws (M6x16 mm) for baby changing station install to the recessed kit.

**Technical Specifications**

Dimensions	L:37 7/8" x W:4 1/2" x H:28"
Wall hole dimensions	36 3/8" x 4 1/8" x 26 1/8"
Wall box thickness	GAUGE 21
Frame thickness	GAUGE 21
Net weight	KT0016HCS-ASTM - 42,3 Lbs KT0016HCSB-ASTM - 42,8 Lbs

**Mounting**

Fix the kit with the most suitable screws for the type of wall, through the holes on the side of the mounting chassis, to the wall, at the points indicated with an "S" in the following figure and always following, step by step, the mounting instructions you will find in the "Installation and Assembly Manual" provided with the unit.

When installing the recessed kit, keep in mind that the bottom of the changing table must be at a height of approximately 31 1/2" from the ground.

Warning: Before installation please refer to the supplied installation manual as to ensure the unit will function properly and safely, it must be installed in accordance with these instructions.

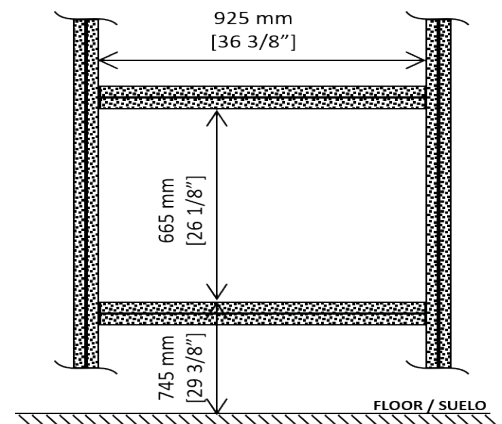
Please mark the selected item



code  
KT0016HCS-ASTM  
material  
AISI 304 steel  
finish  
satin



code  
KT0016HCSB-ASTM  
material  
AISI 304 steel  
finish  
matte black



## Installation

According to the installation and safety instructions manual supplied with the unit.

**IMPORTANT:** in order to ensure recessed BabyMedi is properly installed it is recommended that a qualified person carries out the installation of the unit. The unit must be properly installed on a wall that is able to sustain a considerable weight and can accommodate the supplied installation hardware.

### Ideal location

Public spaces such as, shopping centers, airports, public buildings, childcare centers, etc. Models suitable for high traffic facilities with high strength and durability.

**IMPORTANT:** the Congress of the United has taken a further step towards gender equality by implementing law 114-235 (10/07/2016). By this law, the American Government states that restrooms, both for men and women, in public buildings all around the country, must have diaper changing facilities in place.

### Guide specification

Kit to recess the BabyMedi horizontal baby changing station to the wall. This kit to recess the BabyMedi horizontal baby changing station allows the changing table to be completely flush with the wall once it is closed, not taking up unnecessary space and thus allowing the creation of more open spaces free of obstacles.

Possibility of combining finishes between the kit for recess and the baby changing station.

Maximum robustness and vandal-proof design.

Excellent integration and aesthetic level

Overall dimensions:

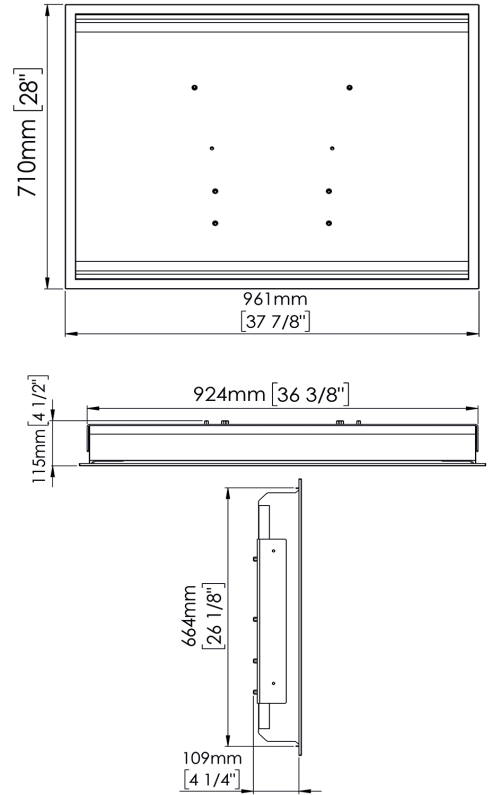
L: 37 7/8" x W: 4 1/2" x H: 28"

Net weight: KT0016HCS-ASTM - 42,3 Lbs

KT0016HCSB-ASTM - 42,8 Lbs.

## DIMENSIONS

KT0016HCS-ASTM / KT0016HCSB-ASTM



Job:

Architect / Engineer:

City / State / Country:

Model number:

Contractor:

Date:

Variations:

Customer / Wholesaler:

Quantity:

Saniflow Corp reserves the right to make changes and/or modifications to the products and their specifications without warning or notice.

For further info please contact SANIFLOW on: Toll free: 1-877-222-9125 or visit our website at [www.saniflowcorp.com](http://www.saniflowcorp.com)

Tel: +1 (305) 424 2433 Fax: +1 (305) 424 2435 · sales@saniflowcorp.com